

# GOG91K14

## THREE PHASE AC-DC BRIDGE

Fuse protection  
Blown fuse indicators with microswitch  
Over temperature switches  
Fan loss detection circuit  
Snubber for SCR's protections  
Extractible stacks for easy field service

**LINE VOLTAGE UP TO 1000V**  
**DC OUTPUT CURRENT 1450 A**

### GOG91K14

Line to line voltage	1000 V
----------------------	--------

Characteristic	Conditions	Value
I <sub>DC</sub>	DC output current	1450 A
V <sub>INS</sub> (rms)	Insulation voltage	1 min. (IEC 1461.1)

### THYRISTOR CHARACTERISTICS

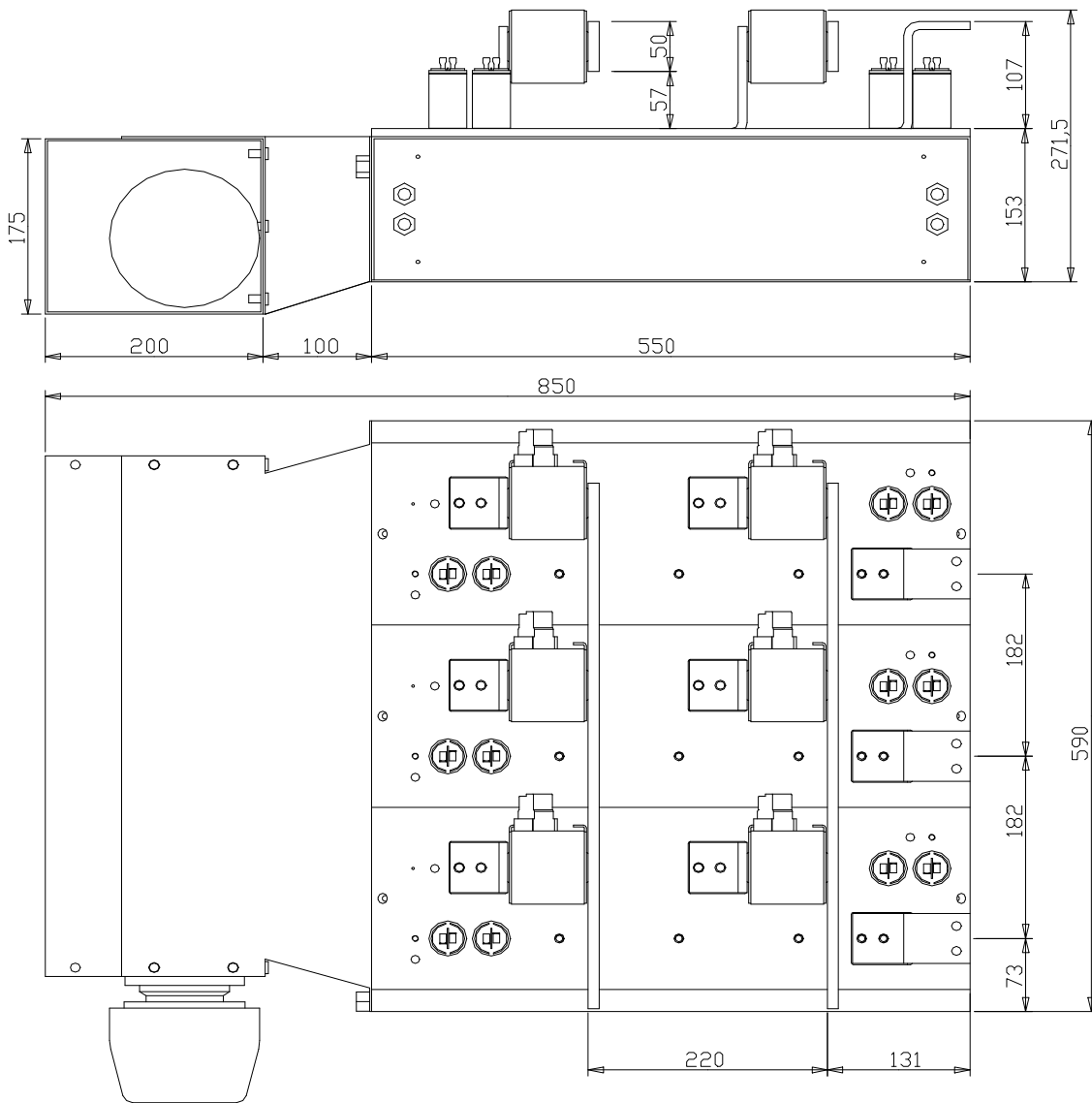
V <sub>GT</sub>	Gate trigger voltage	T <sub>j</sub> = 25 °C, V <sub>D</sub> = 5 V	3 V
I <sub>GT</sub>	Gate trigger current	T <sub>j</sub> = 25 °C, V <sub>D</sub> = 5 V	400 mA
dV/dt	Critical rate of rise off-state voltage	T <sub>j</sub> = 125 °C	1000 V/us
V <sub>RRM</sub>	Blocking Voltage	T <sub>j</sub> = 125 °C	2800 V

### FUSE TYPE: 2 x SIBA 2078132.800

V <sub>NF</sub>	Rated voltage	1250 V
I <sub>NF</sub>	Rated current	800 A
P <sub>VF</sub>	Power loss	At rated current
I <sup>2</sup> t	Total I <sup>2</sup> t	At 1000 V

### MECHANICAL AND THERMAL CHARACTERISTICS

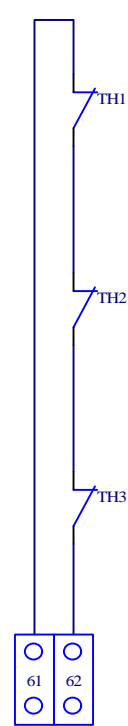
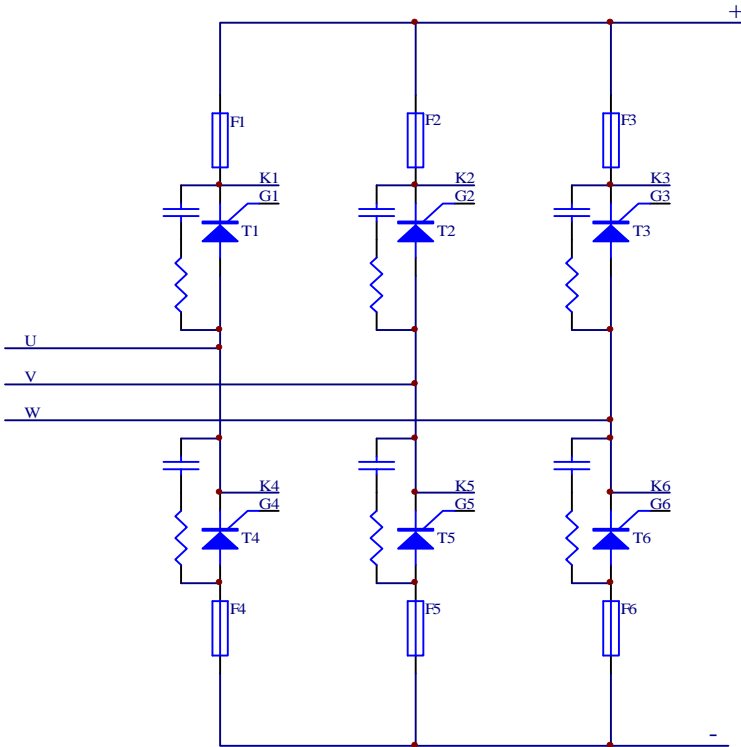
	Width	590 mm
	Depth	270 mm
	Height	850 mm
	Mass	70 kg
T <sub>a max</sub>	Max amb. op. Temp.	40 °C
T <sub>stg</sub>	Storage temperature	-40/60 °C



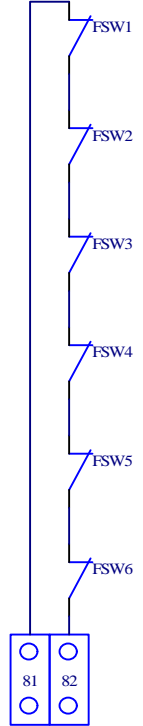
The part numbering system is reported at the beginning of the Open Assembly section.

Customisations are available on request. Please contact factory.

In the interest of product improvement Green Power Solutions reserves the right to change any specification given in this data sheet without notice.

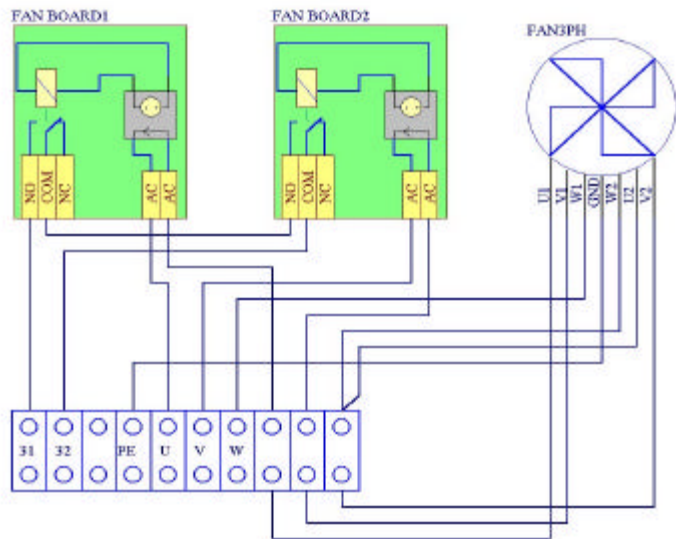


TH: THERMOSWITCH



FSW: BLOWN FUSE SWITCH

61-62: THERMOSWITCH CIRCUIT CONNECTION  
81-82: BLOWN FUSE SWITCH CIRCUIT CONNECTION



U-V-W: MAIN SUPPLY  
PE: GROUND CONNECTION (GND)  
31-32: FAN BOARD CONTACT (CLOSED WHEN FAN RUNNING)

**Cooling:**

- Fan type: three phase cross flow
- Number of fans: 1
- Voltage: 380 V
- Current: 1.2 A
- Frequency: 50/60 Hz
- Noise: 75 dBA

In the interest of product improvement Green Power Solutions reserves the right to change any specification given in this data sheet without notice.