

# GOG91K28

## THREE PHASE AC-DC BRIDGE

Fuse protection  
Blown fuse indicators with microswitch  
Over temperature switches  
Fan loss detection circuit  
Snubber for SCR's protections  
Extractible stacks for easy field service

**LINE VOLTAGE UP TO 1000V**  
**DC OUTPUT CURRENT 2800 A**

### GOG91K28

Line to line voltage		<b>1000 V</b>
----------------------	--	---------------

Characteristic		Conditions		Value
I <sub>DC</sub>	DC output current			2800 A
V <sub>INS</sub> (rms)	Insulation voltage	1 min. (IEC 1461.1)		3000 V

### THYRISTOR CHARACTERISTICS

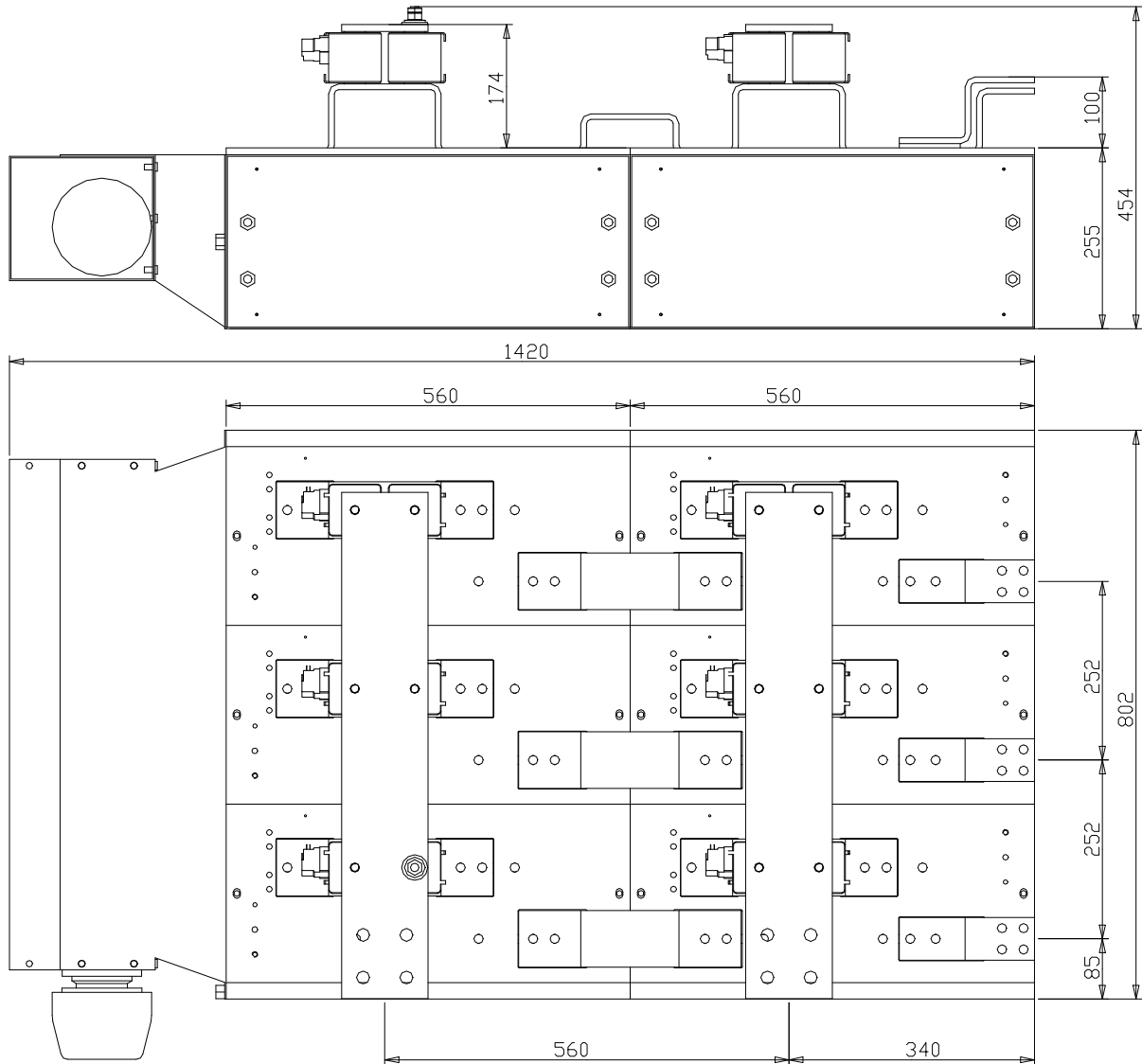
V <sub>GT</sub>	Gate trigger voltage	T <sub>j</sub> = 25 °C, V <sub>D</sub> = 5 V		3 V
I <sub>GT</sub>	Gate trigger current	T <sub>j</sub> = 25 °C, V <sub>D</sub> = 5 V		400 mA
dV/dt	Critical rate of rise off-state voltage	T <sub>j</sub> = 125 °C		1000 V/us
V <sub>RRM</sub>	Blocking Voltage	T <sub>j</sub> = 125 °C		2800 V

### FUSE TYPE: 2 x SIBA 2078132.900

V <sub>NF</sub>	Rated voltage			1250 V
I <sub>NF</sub>	Rated current			900 A
P <sub>VF</sub>	Power loss	At rated current		140 W
I <sup>2</sup> t	Total I <sup>2</sup> t	At 1000 V		1300 kA <sup>2</sup> s

### MECHANICAL AND THERMAL CHARACTERISTICS

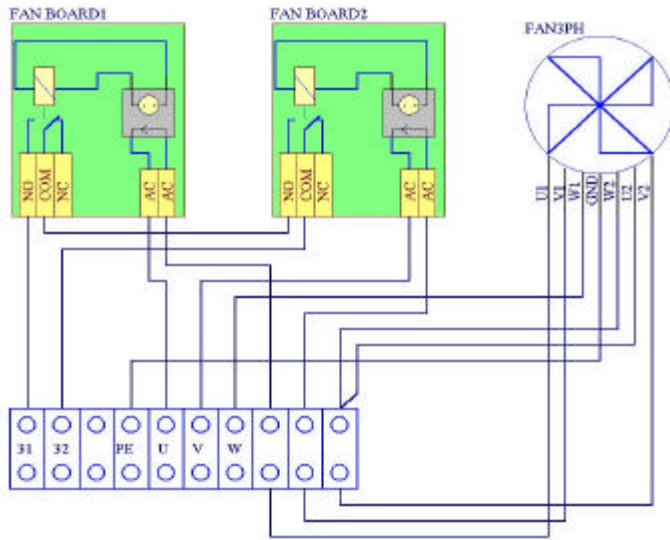
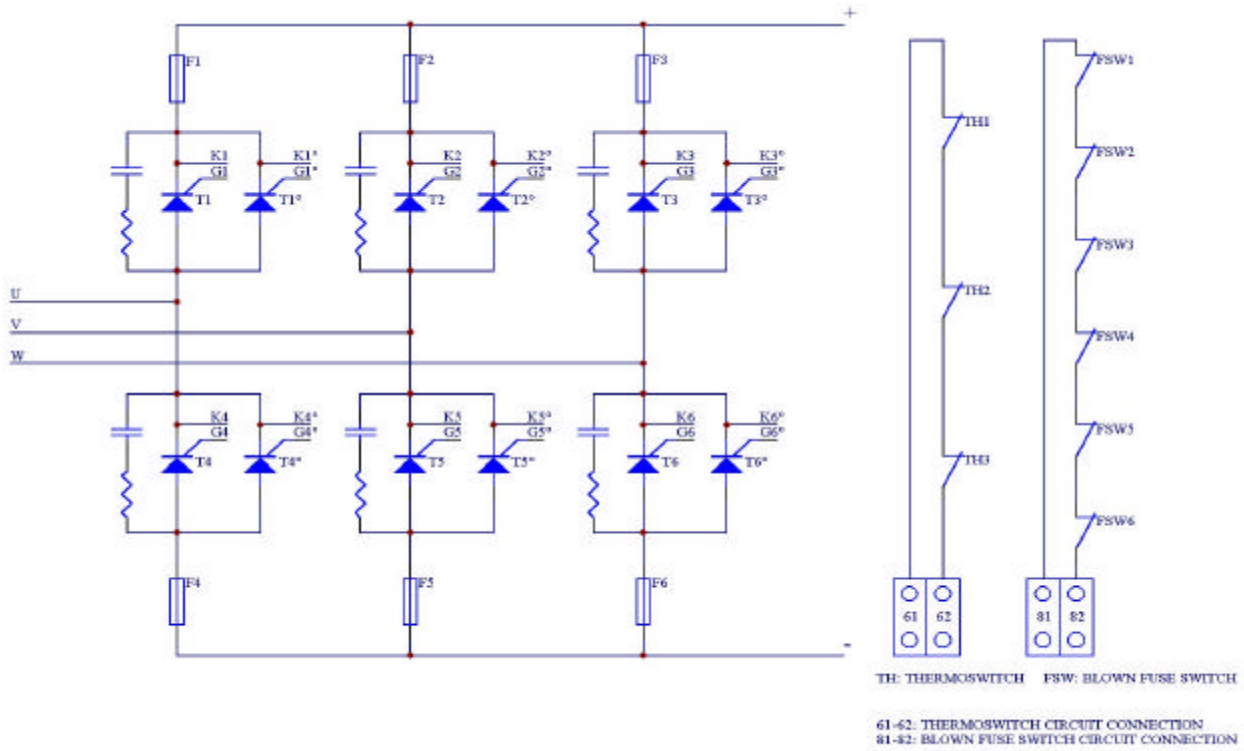
	Width			802 mm
	Depth			495 mm
	Height			1420 mm
	Mass			200 kg
T <sub>a</sub> max	Max amb. op. Temp.			40 °C
T <sub>stg</sub>	Storage temperature			-40/60 °C



The part numbering system is reported at the beginning of the Open Assembly section.

Customisations are available on request. Please contact factory.

In the interest of product improvement Green Power Solutions reserves the right to change any specification given in this data sheet without notice.



U-V-W: MAIN SUPPLY  
PE: GROUND CONNECTION (GND)  
31-32: FAN BOARD CONTACT (CLOSED WHEN FAN RUNNING)

**Cooling:**

Fan type: three phase cross flow  
Number of fans: 1  
Voltage: 380 V  
Current: 1.4 A  
Frequency: 50/60 Hz  
Noise: 75 dBA

In the interest of product improvement Green Power Solutions reserves the right to change any specification given in this data sheet without notice.