

# GOG9xx20

## THREE PHASE AC-DC BRIDGE

Fuse protection  
Blown fuse indicators with microswitch  
Over temperature switches  
Fan loss detection circuit  
Snubber for SCR's protections  
Extractible stacks for easy field service

**LINE VOLTAGE UP TO 500V**

**DC OUTPUT CURRENT 2000 A**

### GOG94020 GOG95020

Line to line voltage	<b>400 V</b>	<b>500 V</b>
----------------------	--------------	--------------

Characteristic		Conditions	Value	Value	
I <sub>DC</sub>	DC output current		2000 A	2000 A	
V <sub>INS</sub> (rms)	Insulation voltage		3000 V	3000 V	

### THYRISTOR CHARACTERISTICS

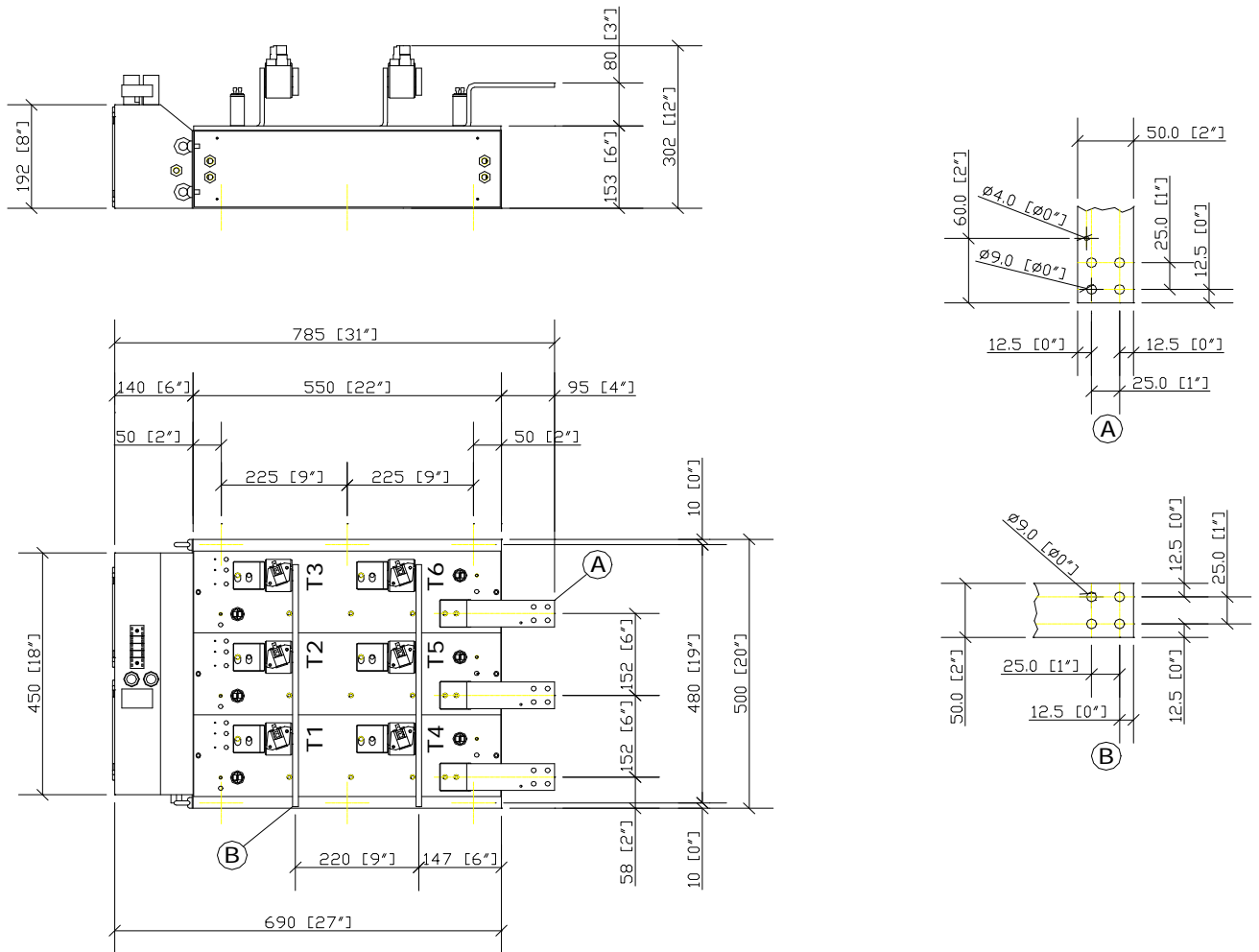
V <sub>GT</sub>	Gate trigger voltage	T <sub>j</sub> = 25 °C, V <sub>D</sub> = 5 V	3 V	3 V	
I <sub>GT</sub>	Gate trigger current	T <sub>j</sub> = 25 °C, V <sub>D</sub> = 5 V	300 mA	300 mA	
dV/dt	Critical rate of rise off-state voltage	T <sub>j</sub> = 125 °C	1000 V/us	1000 V/us	
V <sub>RRM</sub>	Blocking Voltage	T <sub>j</sub> = 125 °C	1200 V	1600 V	

### FUSE TYPE SIBA 2068132.1250

V <sub>NF</sub>	Rated voltage		690 V	690 V	
I <sub>NF</sub>	Rated current		1250 A	1250 A	
P <sub>VF</sub>	Power loss	At rated current	147 W	147 W	
I <sup>2</sup> <sub>t</sub>	Total I <sup>2</sup> <sub>t</sub>		1750 kA <sup>2</sup> s	1750 kA <sup>2</sup> s	

### MECHANICAL AND THERMAL CHARACTERISTICS

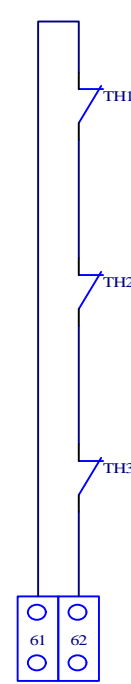
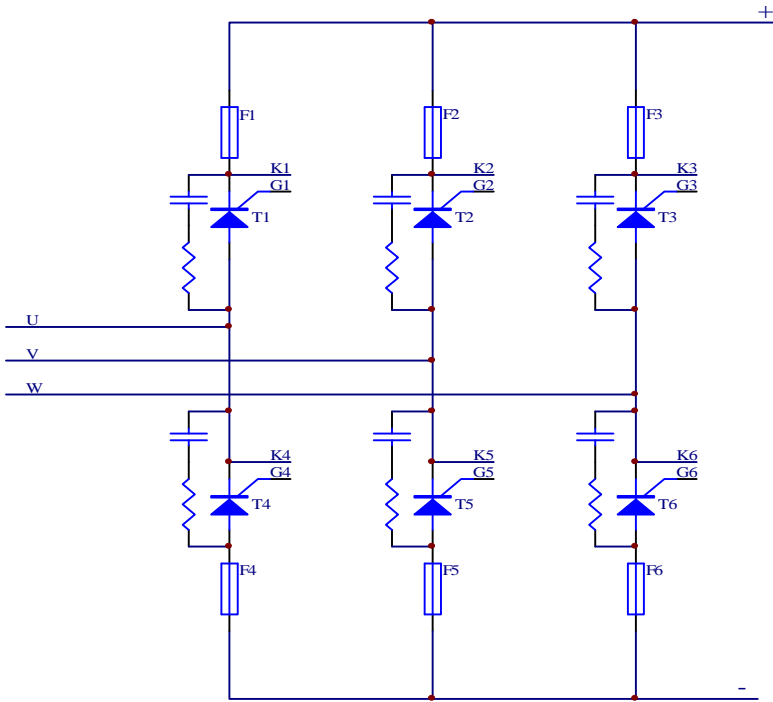
	Width		500 mm	500 mm	500 mm
	Depth		302 mm	302 mm	302 mm
	Height		785 mm	785 mm	785 mm
	Mass		70 kg	70 kg	70 kg
T <sub>a</sub> max	Max amb. op. Temp.		40 °C	40 °C	40 °C
T <sub>stg</sub>	Storage temperature		-40/60 °C	-40/60 °C	-40/60 °C



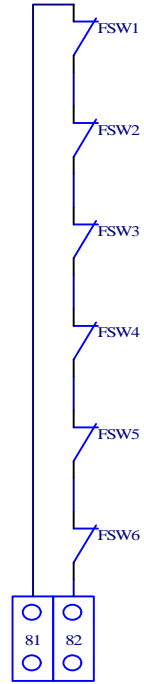
The part numbering system is reported at the beginning of the Open Assembly section.

Customisations are available on request. Please contact factory.

In the interest of product improvement Green Power Solutions reserves the right to change any specification given in this data sheet without notice.

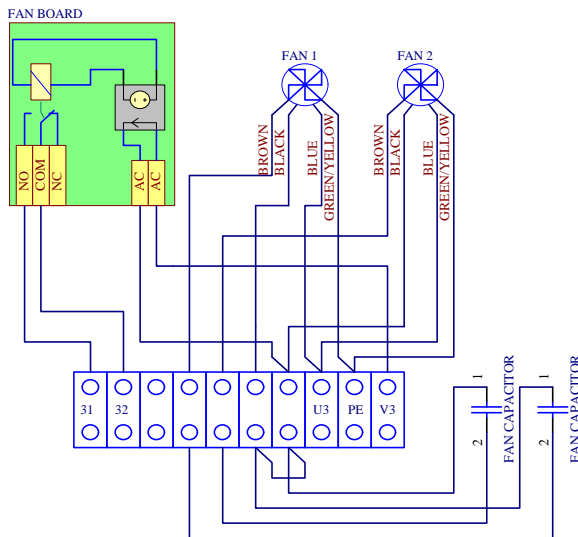


TH: THERMOSWITCH



FSW: BLOWN FUSE SWITCH

61-62: THERMOSWITCH CIRCUIT CONNECTION  
81-82: BLOWN FUSE SWITCH CIRCUIT CONNECTION



U3-V3: MAIN SUPPLY  
PE: GROUND CONNECTION (GND)  
31-32: FAN BOARD CONTACT (CLOSED WHEN FAN RUNNING)

**Cooling:**

Fan type:	single phase axial
Number of fans:	2
Voltage:	230 V
Current:	0.4 A
Frequency:	50/60 Hz
Noise:	62 dBA

In the interest of product improvement Green Power Solutions reserves the right to change any specification given in this data sheet without notice.