

# GOG9xx34

## THREE PHASE AC-DC BRIDGE

Fuse protection  
Blown fuse indicators with microswitch  
Over temperature switches  
Fan loss detection circuit  
Snubber for SCR's protections  
Extractible devices for easy field service

**LINE VOLTAGE UP TO 690V**

**DC OUTPUT CURRENT 3400A**

### GOG94034 GOG95034 GOG96034

Line to line voltage	<b>400</b>	<b>500</b>	<b>690</b>
----------------------	------------	------------	------------

Characteristic		Conditions	Value	Value	Value
I <sub>DC</sub>	DC output current		3400 A	3400 A	3400 A
V <sub>INS</sub> (rms)	Insulation voltage		3000 V	3000 V	3000 V

### THYRISTOR CHARACTERISTICS

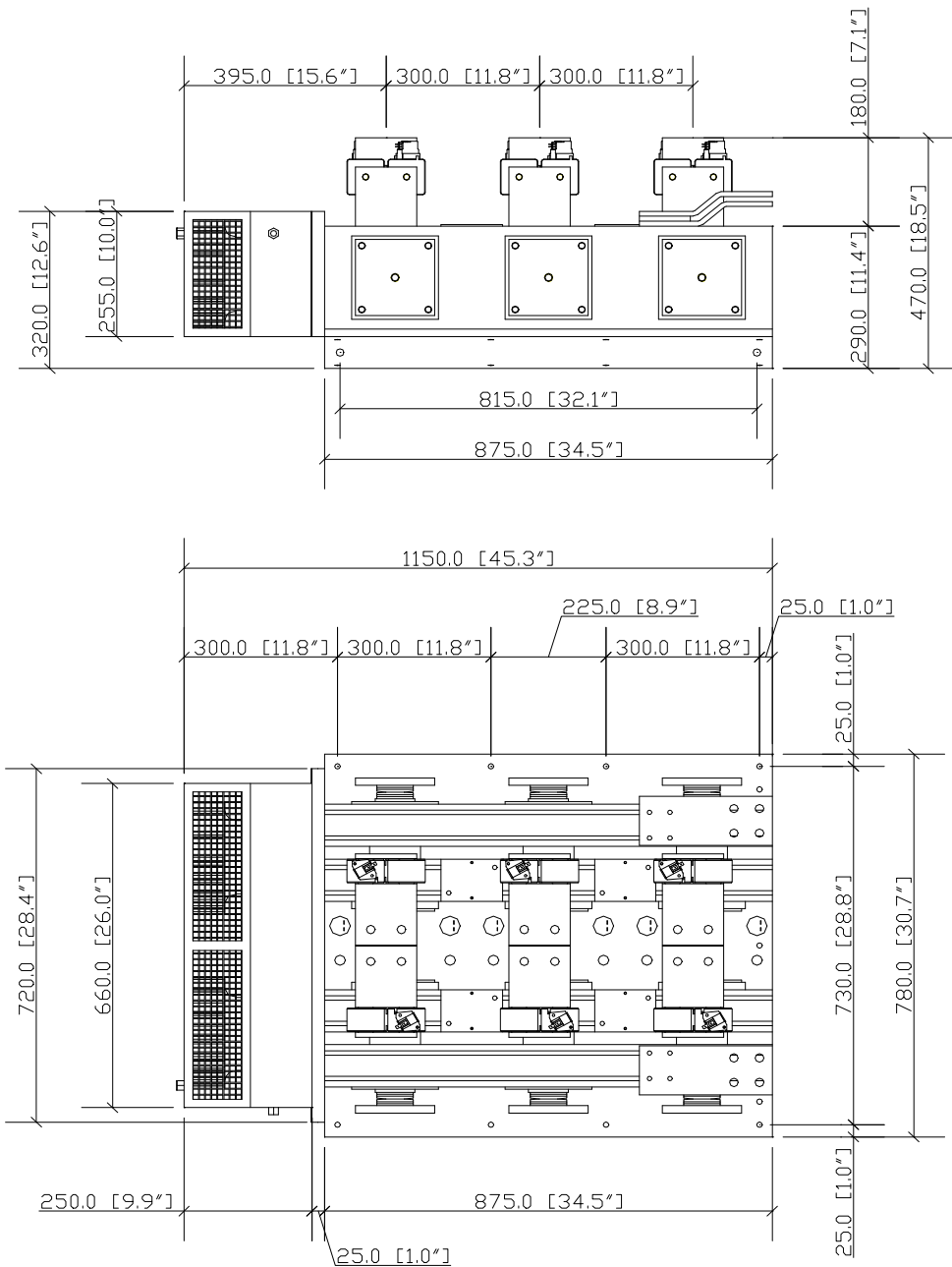
V <sub>GT</sub>	Gate trigger voltage	T <sub>j</sub> = 25 °C, V <sub>D</sub> = 5 V	3 V	3 V	3 V
I <sub>GT</sub>	Gate trigger current	T <sub>j</sub> = 25 °C, V <sub>D</sub> = 5 V	500 mA	500 mA	500 mA
dV/dt	Critical rate of rise off-state voltage	T <sub>j</sub> = 125 °C	1000 V/us	1000 V/us	1000 V/us
V <sub>RRM</sub>	Blocking Voltage	T <sub>j</sub> = 125 °C	1200 V	1600 V	2200 V

### FUSE TYPE SIBA 2 x 2068132.1250

V <sub>NF</sub>	Rated voltage		690 V	690 V	690 V
I <sub>NF</sub>	Rated current		1250 A	1250 A	1250 A
P <sub>VF</sub>	Power loss	At rated current	147 W	147 W	147 W
I <sup>2</sup> t	Total I <sup>2</sup> t	At 660V	1750 kA <sup>2</sup> s	1750 kA <sup>2</sup> s	1750 kA <sup>2</sup> s

### MECHANICAL AND THERMAL CHARACTERISTICS

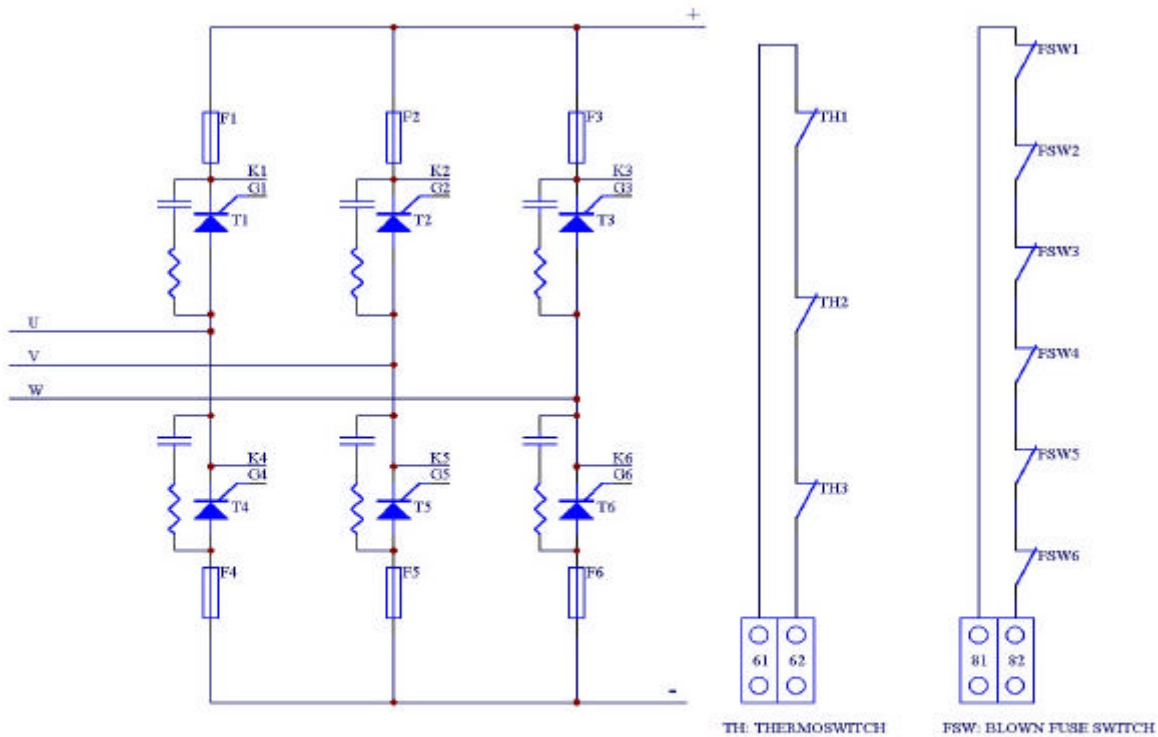
	Width		780 mm	780 mm	780 mm
	Depth		470 mm	470 mm	470 mm
	Height		1150 mm	1150 mm	1150 mm
	Mass		260 kg	260 kg	260 kg
T <sub>a max</sub>	Max amb. op. Temp.		40 °C	40 °C	40 °C
T <sub>stg</sub>	Storage temperature		-40/60 °C	-40/60 °C	-40/60 °C



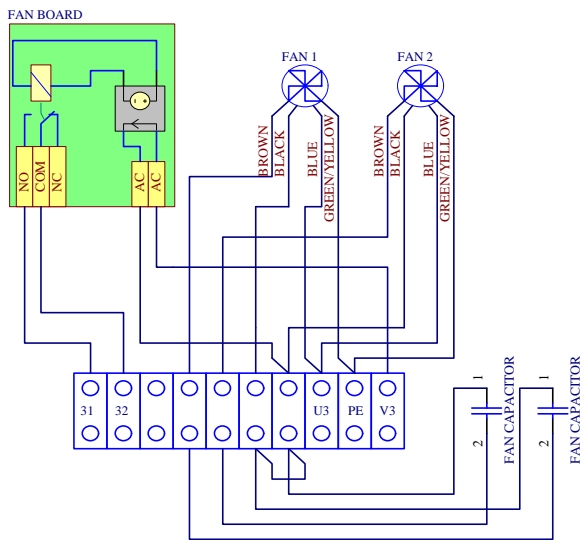
The part numbering system is reported at the beginning of the Open Assembly section.

Customisations are available on request. Please contact factory.

In the interest of product improvement Green Power Solutions reserves the right to change any specification given in this data sheet without notice.



61-62: THERMOSWITCH CIRCUIT CONNECTION  
81-82: BLOWN FUSE SWITCH CIRCUIT CONNECTION



U3-V3: MAIN SUPPLY  
PE: GROUND CONNECTION (GND)  
31-32: FAN BOARD CONTACT (CLOSED WHEN FAN RUNNING)

**Cooling:**

Fan type: single phase axial  
 Number of fans: 2  
 Voltage: 230 V  
 Current: 1.8 A  
 Frequency: 50/60 Hz  
 Noise: 70 dBA

In the interest of product improvement Green Power Solutions reserves the right to change any specification given in this data sheet without notice.