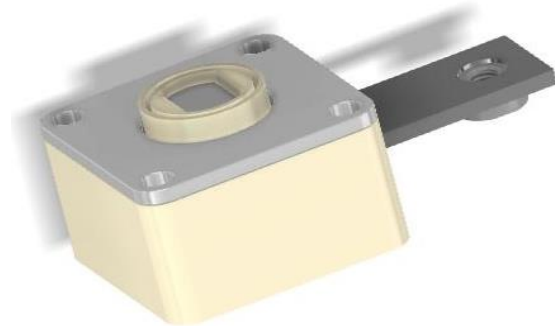


GB42

BOX CLAMP FOR HOCKEY PUK

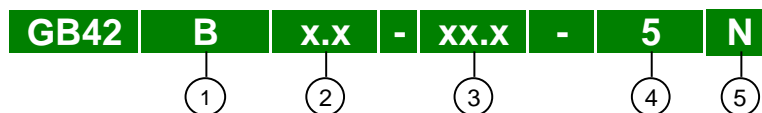


Very low profile box clamp for hockey puk
 Clamping force up to 6.5 kN
 User friendly assembly
 UL 94V0 Plastic material
 Threaded stud / threaded hole or side bar terminal
 Rugged construction
 Minimum insulation voltage up to 3000 V rms, 60 s, R.T.

	GB42M...	GB42F...	GB42B...4	GB42B...5
Mechanical characteristics	Value	Value	Value	Value
Top threaded terminal size	M6			
Threaded hole size x depth [mm]		M6 x 16		
Side bar terminal length			26 mm	36 mm
Allowed semiconductor diameter - max	42 mm	42 mm	42 mm	42 mm
Mass without nuts and bolts	g	g	g	g

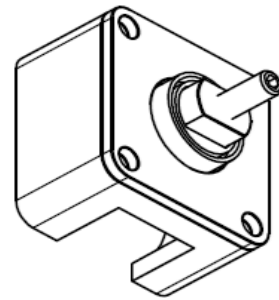
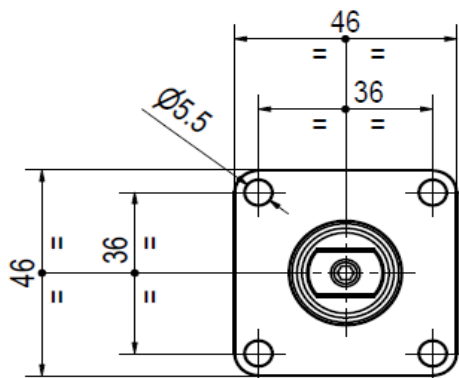
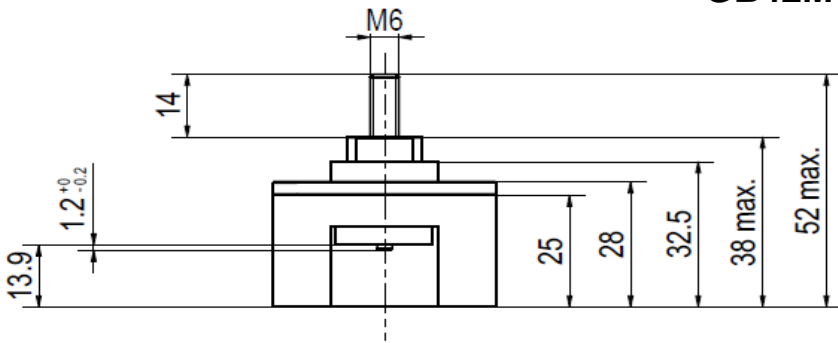
Plastic characteristics	Conditions	Value
Comparative Tracking Index CTI	UL746	PLC3
Volume resistivity	IEC6093	10 ¹⁴ Ω.cm
Flammability	UL 94	V-0 , 6 mm
Operating temperature, max		125 °C
Colour		Light yellow

PART-NUMBERING SYSTEM

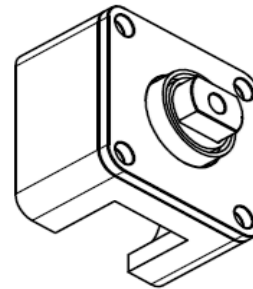
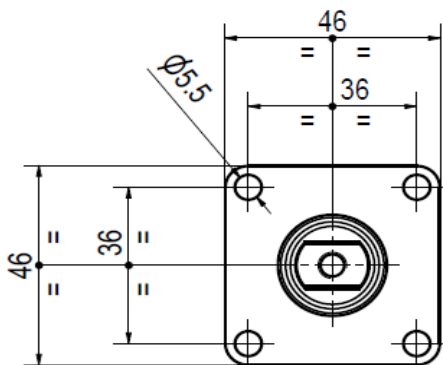
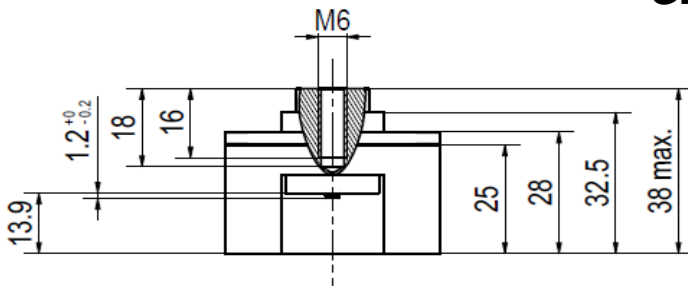


- ① Terminal: M = threaded stud - F = threaded hole - B = lateral connection bar
- ② Clamping force in kN (up to 6.5 kN)
- ③ Semiconductor device height in mm (up to 15.0 mm)
- ④ Interaxial distance (B style only) 4 = 40 mm - 5 = 50 mm
- ⑤ Connection type (B style only) N = M6 captive threaded nut - H (or blank) = hole

GB42M

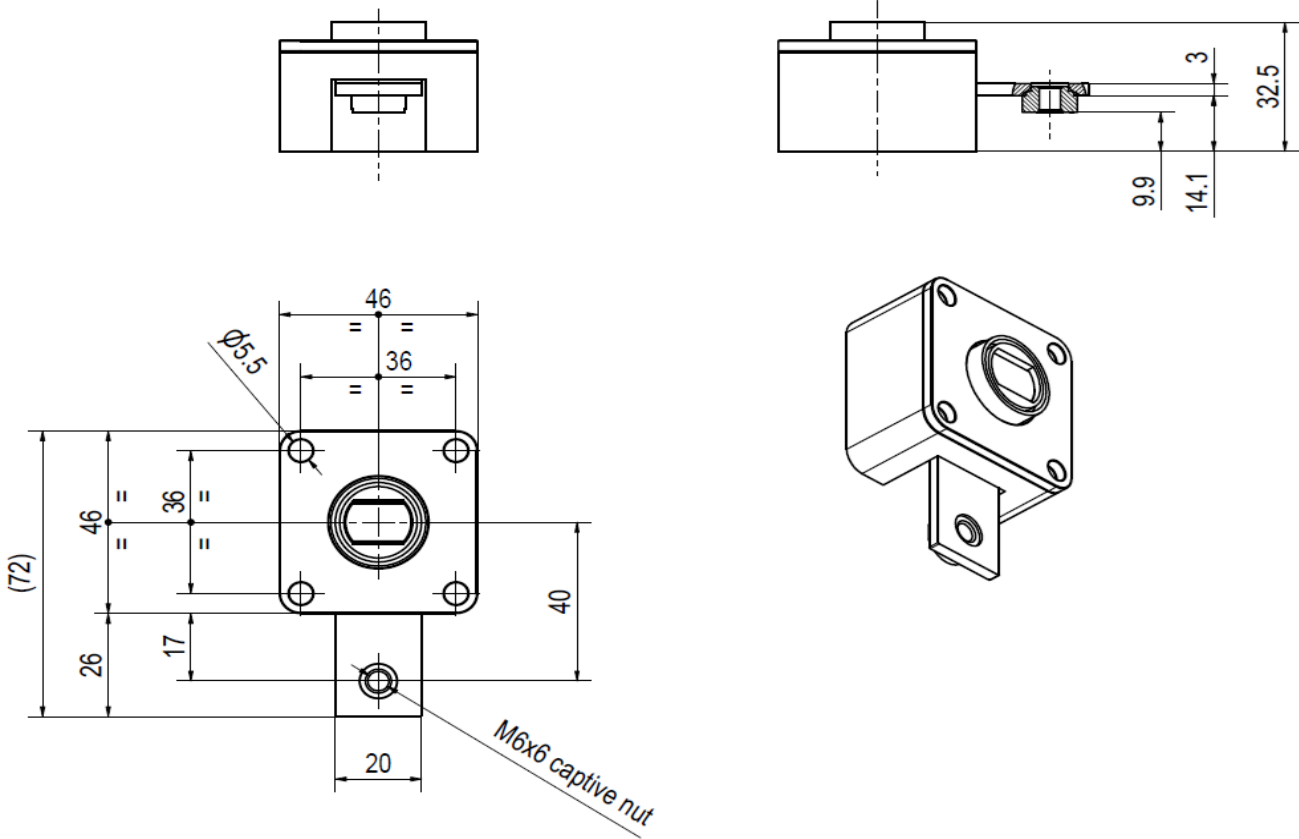


GB42F

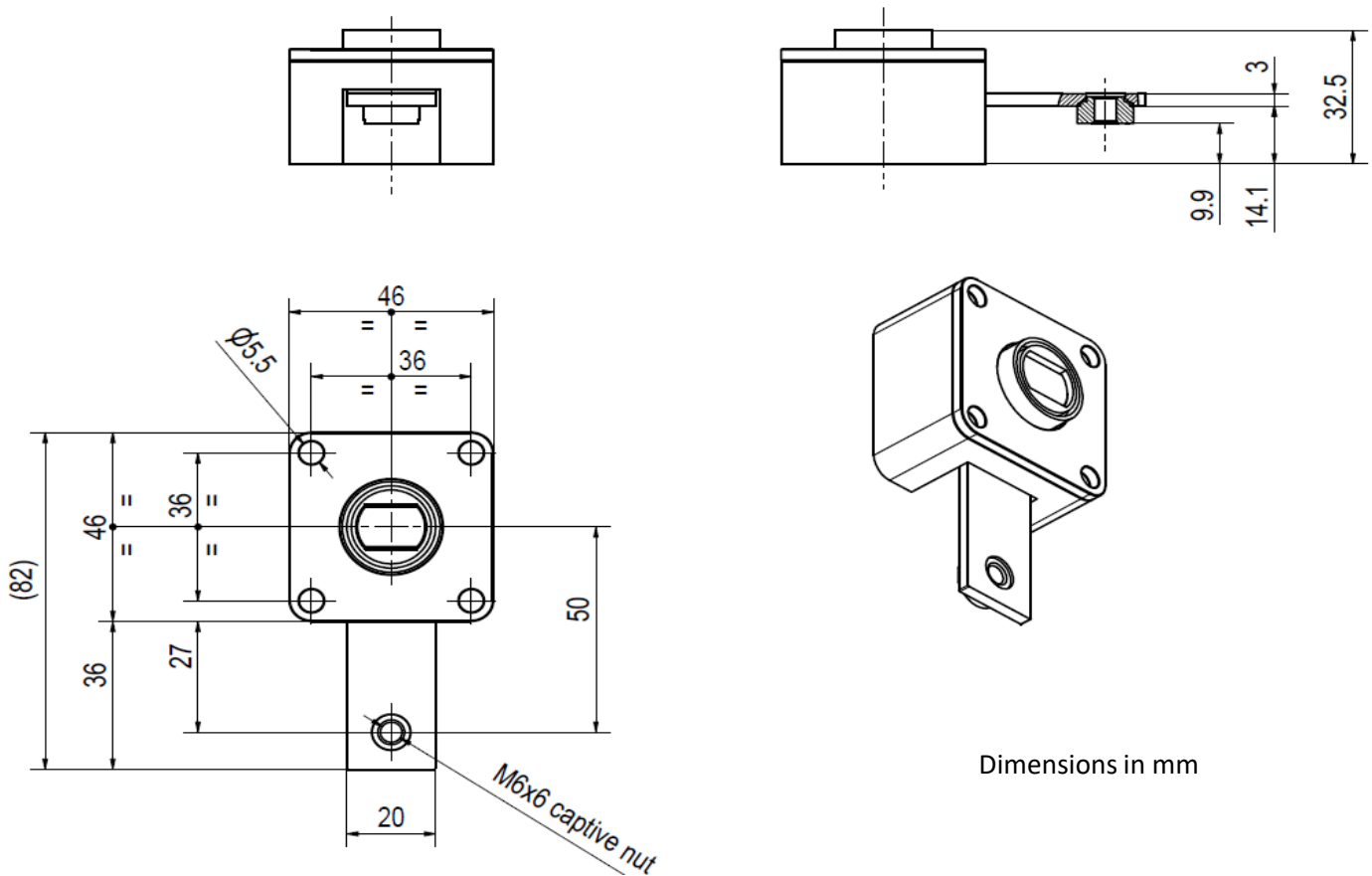


Dimensions in mm

GB42B_4N

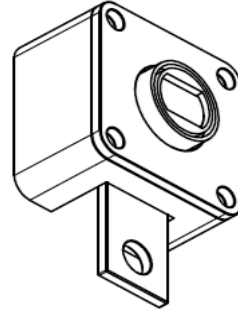
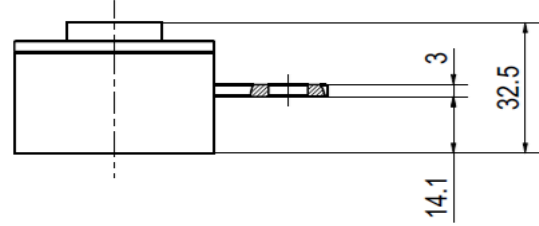
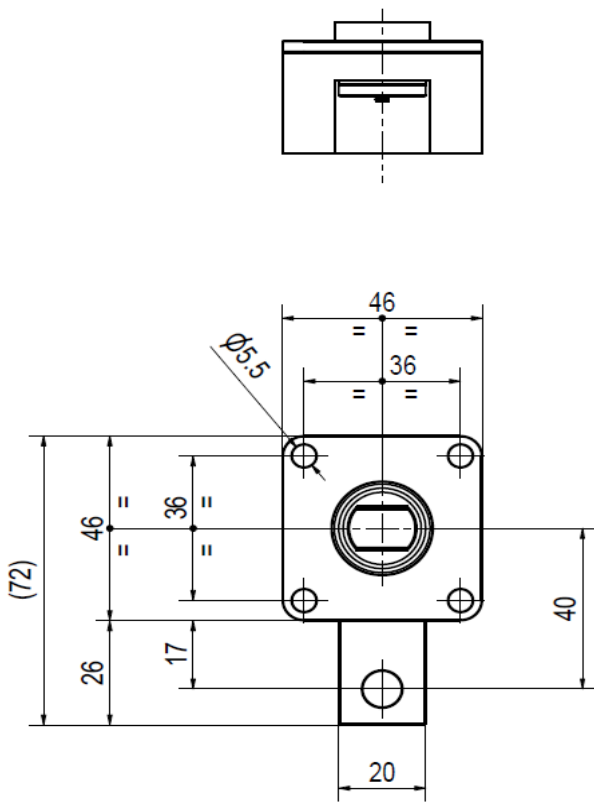


GB42B_5N

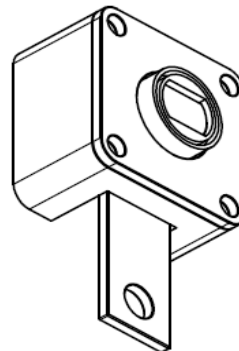
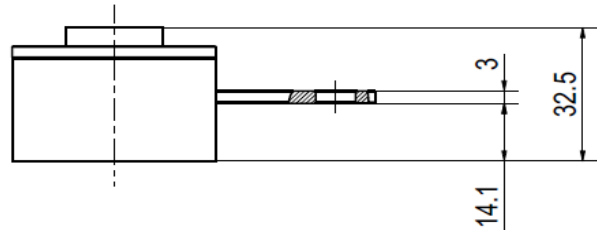
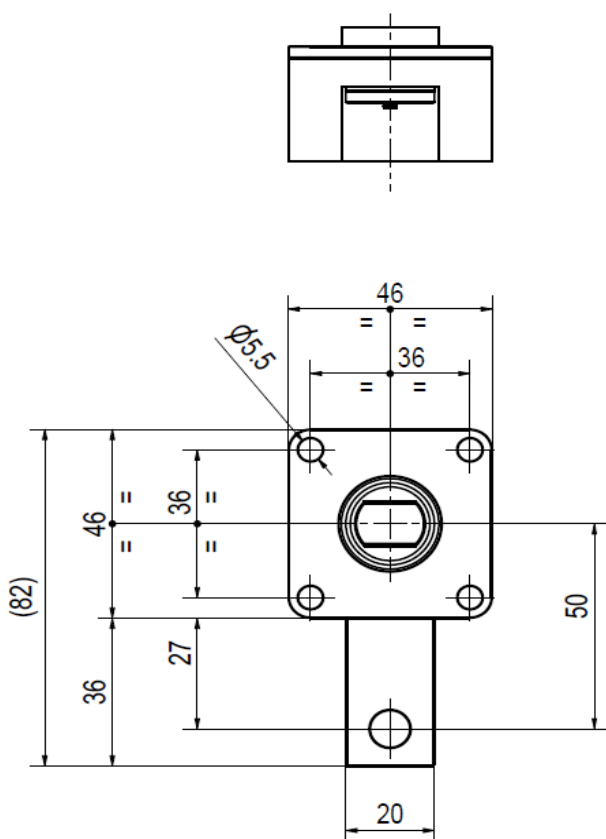


Dimensions in mm

GB42B_4H



GB42B_5H



Dimensions in mm