

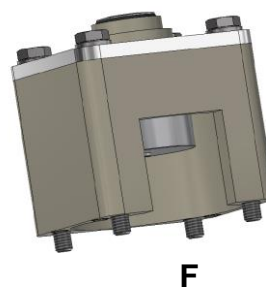
GB59_U

UNDROPPABLE CONTACT HEAD BOX CLAMP FOR HOCKEY PUKS DO200AB, TO200AC

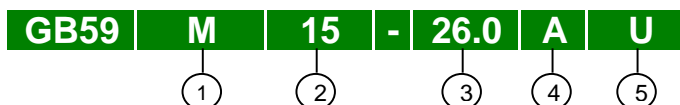
Clamping force up to 15 kN
 User friendly assembly
 UL 94V0 Plastic material
 M12 threaded stud terminal or M10 threaded hole terminal
 Nut with captive belleville spring
 Rugged construction
 Minimum insulation voltage up to 3000 V rms, 60 s, R.T.

	GB59M...	GB59F...
Mechanical characteristics	Value	Value
Top threaded terminal size	M10	
Threaded hole size x depth [mm]		M10 x 15
Allowed semiconductor diameter - max	59 mm	59 mm
Mass without nuts and bolts	455 g	435 g

Plastic characteristics	Conditions	Value
Comparative Tracking Index CTI	UL746	PLC3
Volume resistivity	IEC6093	1.0E+14 Ω.cm
Flammability	UL 94	V-0 , 6 mm
Operating temperature, max		125 °C
Colour		Light yellow



PART-NUMBERING SYSTEM



- ① Terminal: M = threaded stud - F = threaded hole
- ② Clamping force in kN (up to 15 kN)
- ③ Semiconductor device height in mm (range 25.4 - 31.0 mm)
- ④ A = Aluminum contact head
- ⑤ Box-clamp with undroppable piece parts

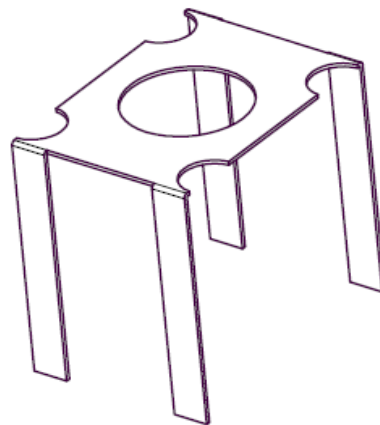
GB59_U

ACCESSORIES

N	Part description	Characteristics	P/N
1	Threaded rod for GB59F	DIN913 M10 x 30 mm	TRM10-30
2	Threaded rod for GB59F	DIN913 M10 x 35 mm	TRM10-35
3	Threaded rod for GB59F	DIN913 M10 x 40 mm	TRM10-40
4	Mounting kit (4 screws + 4 washers)	DIN933 M6 x 70 mm + DIN 125A	KSW6-70
5	Nut with captive belleville spring	M12	MAFR226-04-00
6	Mounting aid kit	Spider + 5 washers	GB59MAK



Nut with captive belleville spring



Mounting aid kit - Spider