



GTA01005-02

CURRENT TRANSFORMER

Rugged structure

For conductors with total cross sectional area up to 250 mm² (ϕ 18 mm)

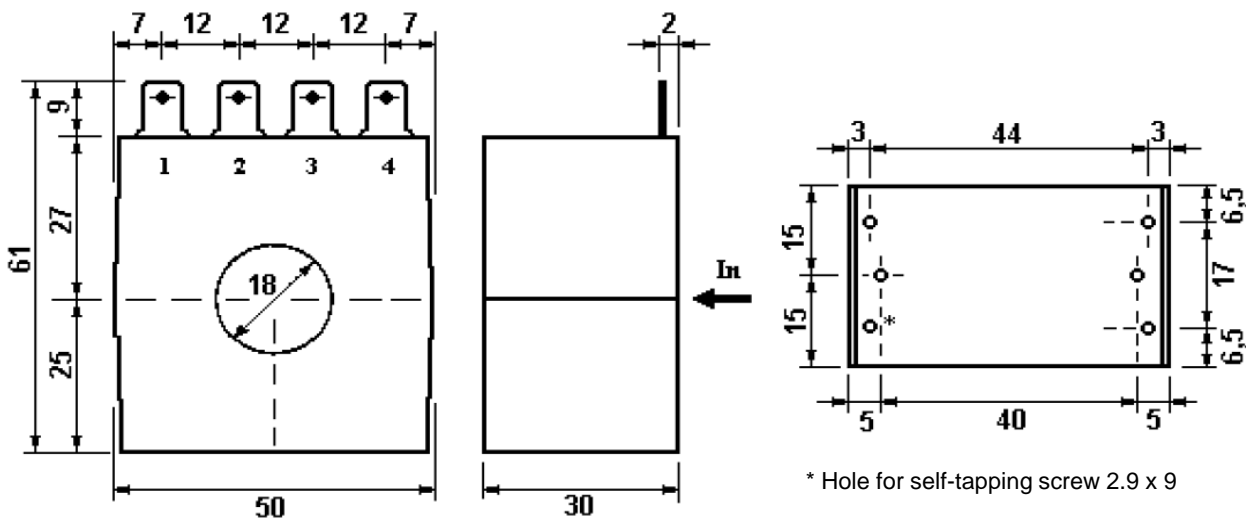
NOMINAL CURRENT **100 A**
URNS RATIO UP TO **500:1**

MAIN PARAMETERS

Characteristic		Conditions	Value
N	Turns ratio		125 - 250 - 500 :1
I _n	Nominal current	RMS value	25 - 50 - 100 A
R _L	Load resistance		20 Ω
V _o	Max RMS output voltage	R = 20 Ω	4 V
$\epsilon\%$	Accuracy	R = 20 Ω	< 2.5 - 1.5 - 0.8 %
V _{ins}	RMS insulation voltage	50 Hz - 60 s	4 kV
f	Frequency		50 - 60 Hz
T _w	Internal operating temperature		0 - 70 °C

FINAL INSPECTION ON 100% PRODUCTION

Characteristic		Conditions	Acceptance level
I _m	Magnetizing current	RMS value at V(1 - 4) = 4 V _{rms}	\leq 2.5 mA
N	Turns ratio		OK on 100%
	Polarity		OK on 100%



* Hole for self-tapping screw 2.9 x 9

dimensions in mm