



GTA40100-05

CURRENT TRANSFORMER

Rugged structure
 Suitable for conductors with max cross sectional area up to 29800 mm²

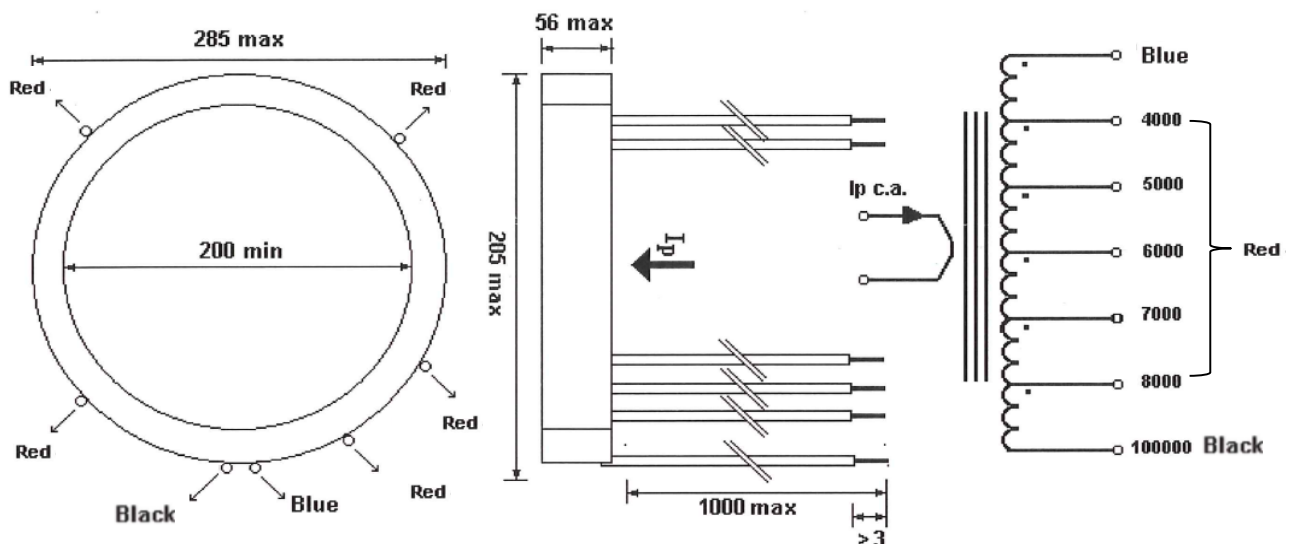
NOMINAL CURRENT **4000 A**
URNS RATIO UP TO **10000:1**

MAIN PARAMETERS

Characteristic		Conditions	Value
N	Turns ratio		10 - 8 - 7 - 6 - 5 - 4 x1000
I _n	Nominal current	RMS value	4000 A
f	Working frequency		50 - 60 Hz
R _w	Winding resistance		50 Ω

FINAL INSPECTION ON 100% PRODUCTION

Characteristic		Conditions	Acceptance level
I _m	Magnetizing current	RMS value at V = 70 Vrms	≤ 0.2 mA
N	Turns ratio		OK on 100%
	Polarity		OK on 100%



dimensions in mm