

# GC118\_45R

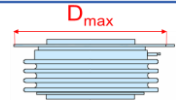
## BAR CLAMP FOR HOCKEY PUK DEVICES



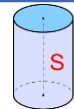
**$F = 35 \text{ kN} \div 45 \text{ kN}$**



**$D_{max} = 102 \text{ mm}$**



**$S = 12,2 \div 142,2 \text{ mm}$**



**$T_{op} = -30 \div 110 \text{ }^\circ\text{C}$**



Scan this QR code to download this datasheet

To display 3D images correctly, please use last version of Acrobat PDF Reader <https://get.adobe.com/it/reader/>  
 (Once the application has started, click the Options button and then select: "Trust this document one time only",  
 then click on the 3D image and wait until the upload is complete)

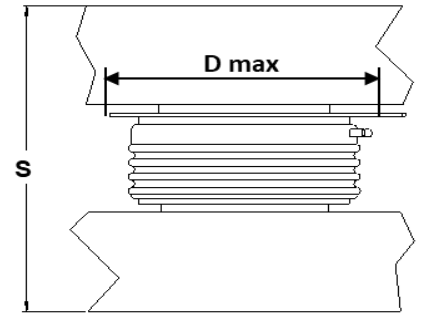
Characteristic	Unit	Types	Testing conditions	Values		
				Min	Typ	Max
F	Clamping Force	kN		35		45
$\Delta F$	Clamping Force tolerance	%				$\pm 10\%$
$V_{INS}$	Insulation Voltage	V	50 Hz, RMS, 60 s		3000	
$D_s$	Surface creepage distance	mm			28	
$D_a$	Air strike distance	mm			20,3	
m	Mass	g	GC118S...F	1980		2050
			GC118B...F	1980		2050
	Insulating Material		Polyphenylene Oxide	PPO		
	UL Files		PPO	E121562		
$T_{op}$	Operating temperature range	$^\circ\text{C}$	PPO	-30		110
CTI	Comparative Tracking Index	V	PPO	According to UL746		
	Flammability	mm	PPO	UL94 V-1 Flame class rating	1,5	
				UL94 V-0 Flame class rating	6,0	

**ORDERING INFORMATION TABLE**

Use this part numbering system to order

<b>GC118</b>	<b>B</b>	<b>N</b>	<b>A</b>	<b>G</b>	<b>45</b>	<b>R</b>	<b>S</b>	<b>0</b>	<b>X</b>	<b>0</b>
(1)	(2)	(3)	(4)	(5)	(6)	(7)	(8)	(9)		

<b>(1) Construction type:</b>	<b>B</b> = with reaction bar
	<b>S</b> = without reaction bar
<b>(2) Insulator position:</b>	<b>N</b> = on load bar
	<b>R</b> = on reaction bar
<b>(3) Insulator code:</b>	<b>_</b> = no insulating cup
	<b>other</b> : see table below
<b>(4) Bolt code:</b>	<b>_</b> = no bolt
	<b>1</b> = only D10 special washers, no bolts
	<b>other</b> : see table below
<b>(5) Clamping force (in kN):</b>	<b>35 kN ÷ 45 kN, with step of 1 kN</b>
<b>(6) Special accessories</b>	<b>blank</b> = no accessories
	<b>S</b> = extra bar spacer (*)
<b>(7) Insulating cup material</b>	<b>0</b> = standart PPO insulating cup
<b>(8) Bolt steel type</b>	<b>0</b> = standard 8.8 steel bolts
	<b>X</b> = A2 stainless steel bolts (**)
<b>(9) Bars thickness</b>	<b>0</b> = standart bars thickness (25 mm)



**S** : Total thickness of the assembly to be clamped  
**D max** : Max inner diameter allowable

 (\*) Needed to reduce  $S_{Min}$  if a lower allowed clearance is required

(\*\*) Suggested for high current applications, magnetic sensitive applications or any application working in very high E.M. fields

**Type GC118BN...45R: suggested insulator/bolt types**

Allowed clearance S		Insulator choice		Bolt choice		Max height
$S_{Min}$ [mm]	$S_{Max}$ [mm]	(3)	Ins. Length [mm]	(4)	Bolt Length [mm]	T [mm]
12,2	22,2	A	100	B	120	145
22,2	32,2	A	100	C	130	155
32,2	42,2	A	100	D	140	165
42,2	52,2	A	100	E	150	175
52,2	62,2	A	100	F	160	185
62,2	72,2	A	100	G	170	195
72,2	82,2	A	100	H	180	205
82,2	92,2	A	100	I	190	215
92,2	102,2	A	100	J	200	225
102,2	112,2	A	100	K	210	235
112,2	122,2	A	100	L	220	245
122,2	132,2	A	100	M	230	255
132,2	142,2	A	100	N	240	265


**Type GC118BR...45R: suggested insulator/bolt types**

Allowed clearance S		Insulator choice		Bolt choice		Max height
$S_{Min}$ [mm]	$S_{Max}$ [mm]	(3)	Ins. Length [mm]	(4)	Bolt Length [mm]	T [mm]
12,2	22,2	A	100	B	120	161
22,2	32,2	A	100	C	130	171
32,2	42,2	A	100	D	140	181
42,2	52,2	A	100	E	150	191
52,2	62,2	A	100	F	160	201
62,2	72,2	A	100	G	170	211
72,2	82,2	A	100	H	180	221
82,2	92,2	A	100	I	190	231
92,2	102,2	A	100	J	200	241
102,2	112,2	A	100	K	210	251
112,2	122,2	A	100	L	220	261
122,2	132,2	A	100	M	230	271
132,2	142,2	A	100	N	240	281



Type GC118SN...45R: suggested insulator/bolt types

Allowed clearance S		Insulator choice		Bolt choice		Max height
S <sub>Min</sub> [mm]	S <sub>Max</sub> [mm]	(3)	Ins. Length [mm]	(4)	Bolt Length [mm]	T [mm]
12,2	22,2	A	100	B	120	145
22,2	32,2	A	100	C	130	155
32,2	42,2	A	100	D	140	165
42,2	52,2	A	100	E	150	175
52,2	62,2	A	100	F	160	185
62,2	72,2	A	100	G	170	195
72,2	82,2	A	100	H	180	205
82,2	92,2	A	100	I	190	215
92,2	102,2	A	100	J	200	225
102,2	112,2	A	100	K	210	235
112,2	122,2	A	100	L	220	245
122,2	132,2	A	100	M	230	255
132,2	142,2	A	100	N	240	265

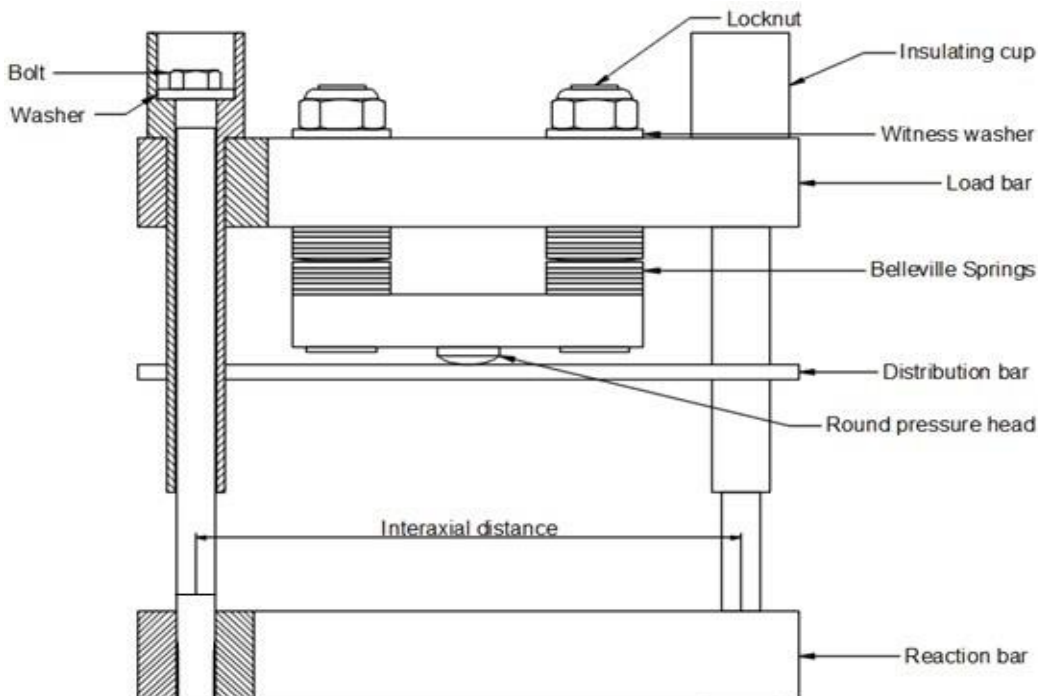


Type GC118SR...45R: suggested insulator/bolt types

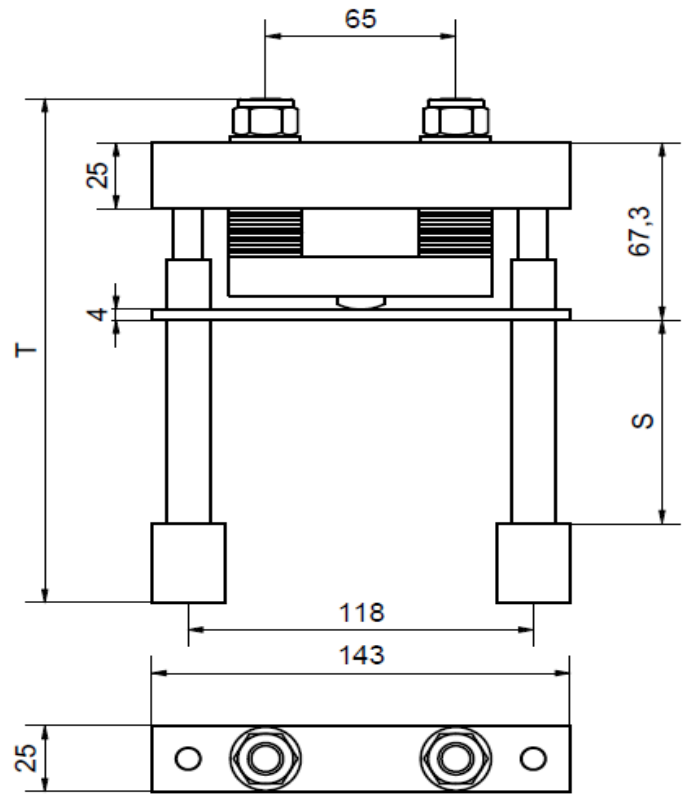
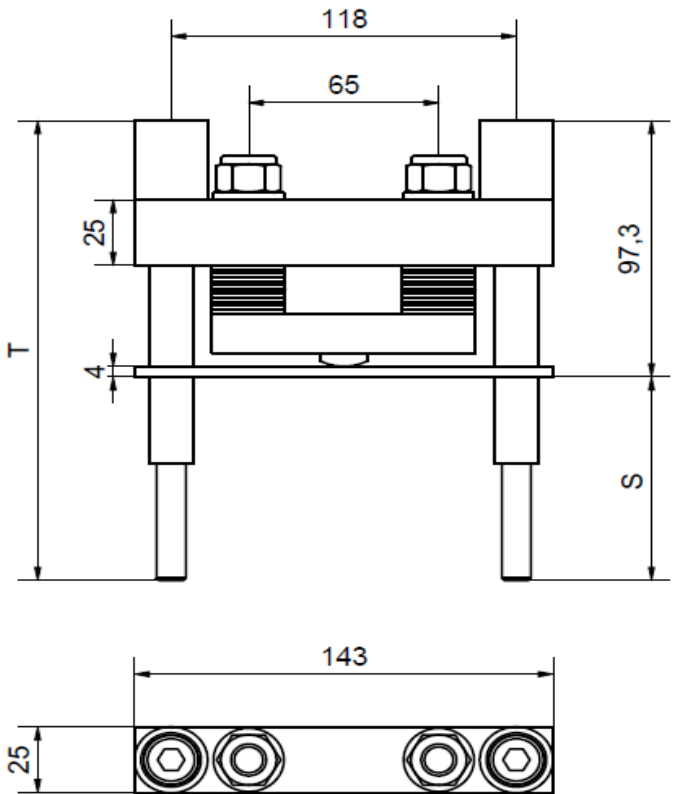
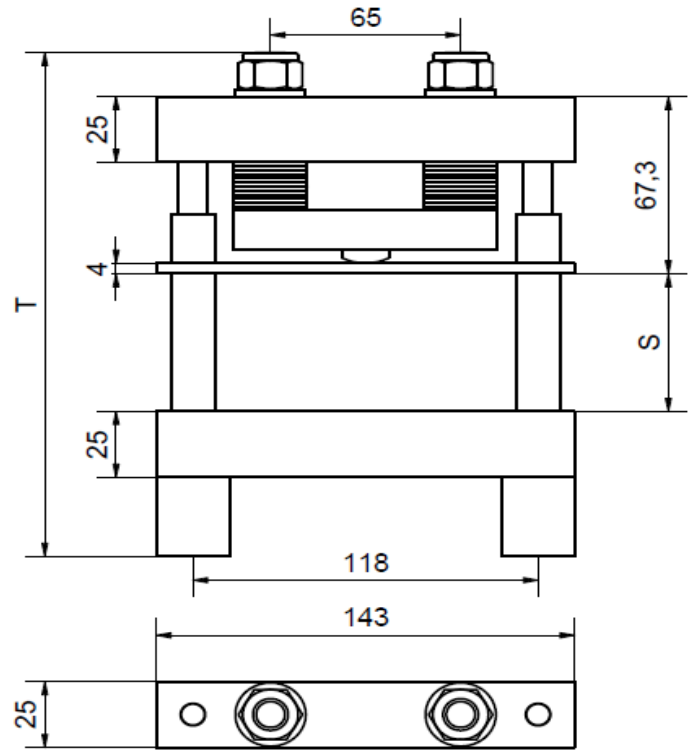
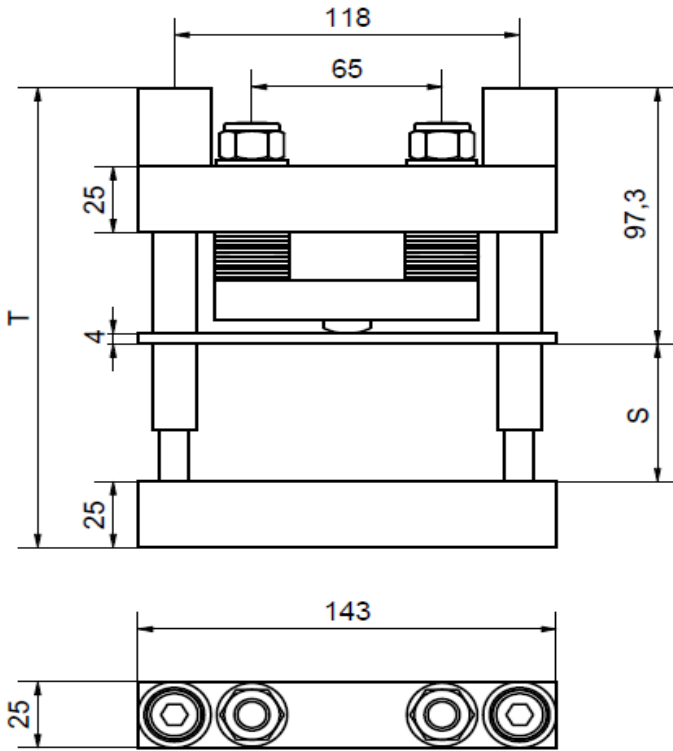
Allowed clearance S		Insulator choice		Bolt choice		Max height
S <sub>Min</sub> [mm]	S <sub>Max</sub> [mm]	(3)	Ins. Length [mm]	(4)	Bolt Length [mm]	T [mm]
12,2	22,2	A	100	B	120	161
22,2	32,2	A	100	C	130	171
32,2	42,2	A	100	D	140	181
42,2	52,2	A	100	E	150	191
52,2	62,2	A	100	F	160	201
62,2	72,2	A	100	G	170	211
72,2	82,2	A	100	H	180	221
82,2	92,2	A	100	I	190	231
92,2	102,2	A	100	J	200	241
102,2	112,2	A	100	K	210	251
112,2	122,2	A	100	L	220	261
122,2	132,2	A	100	M	230	271
132,2	142,2	A	100	N	240	281



BAR CLAMP COMPONENTS LEGEND



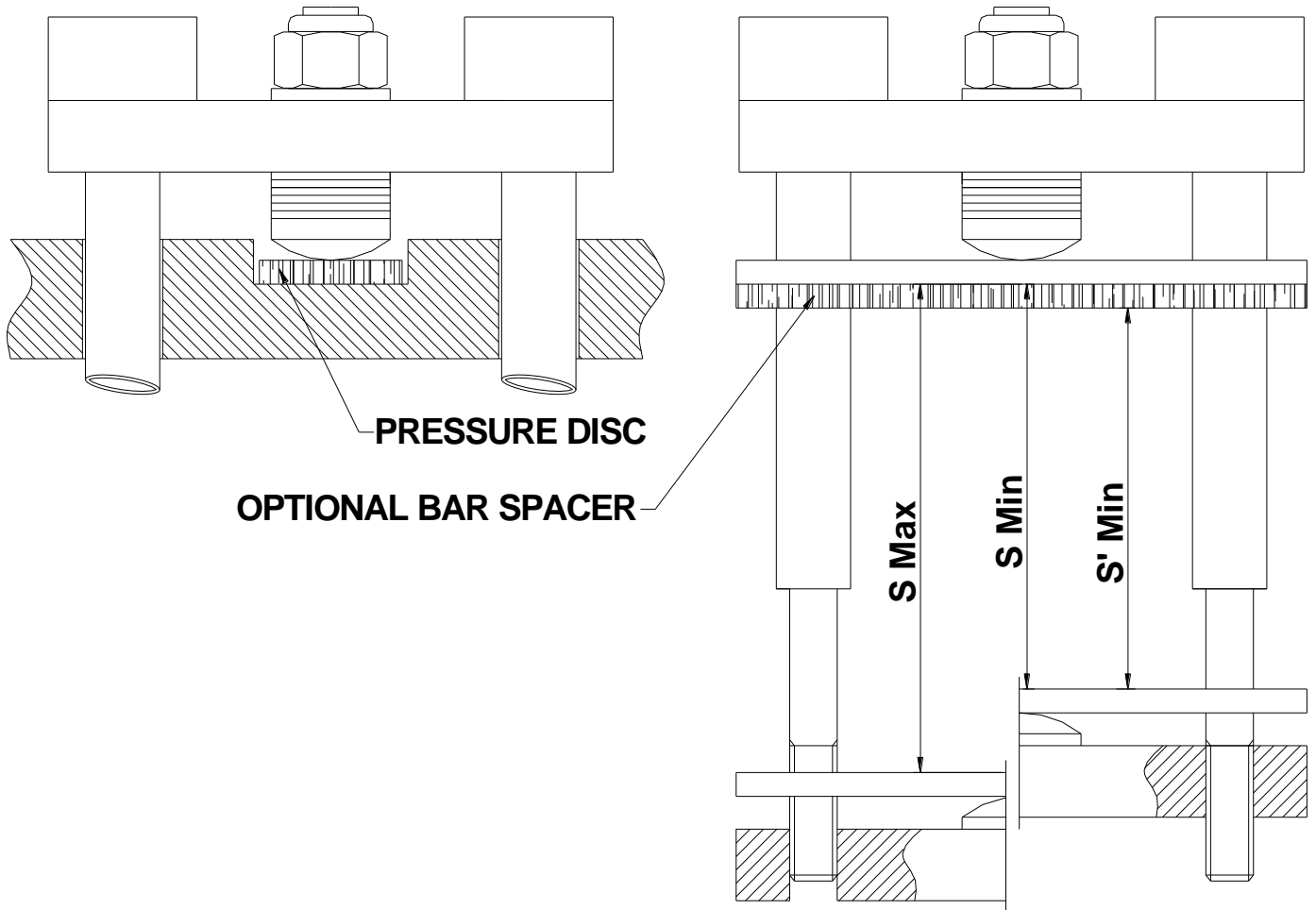
### BAR CLAMP OUTLINES



Dimensions in mm - Tolerances according to ISO 2768 MK

Step files of clamp structures may be downloaded at [www.gpsemi.it/stepfiles/GC118\\_45R\(file step\).zip](http://www.gpsemi.it/stepfiles/GC118_45R(file step).zip) or using this QR

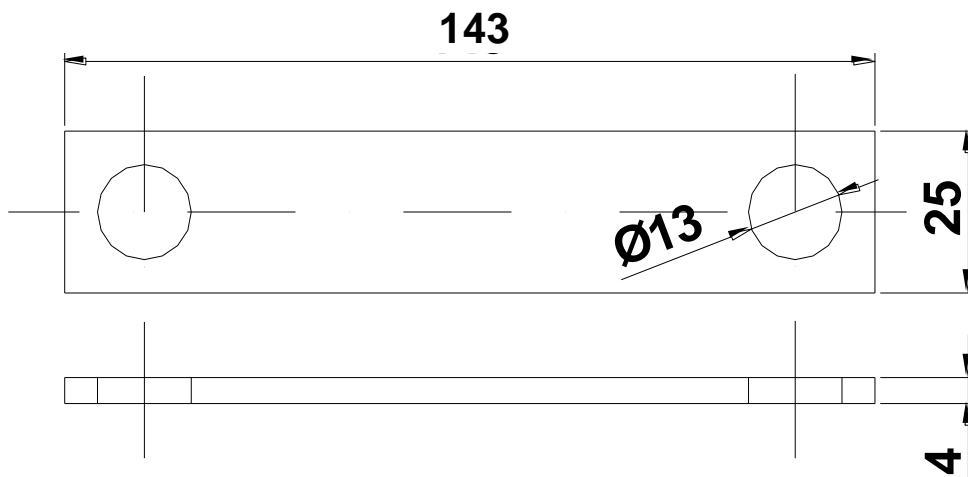




**SPECIAL ACCESSORIES**

The following special accessories are available on request (see ordering information table)

**Bar spacer**



**Dimensions in mm - Tolerances according to ISO 2768 MK**

In the interest of product improvement Green Power Solutions reserves the right to change any specification given in this data sheet without notice.