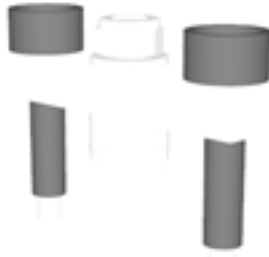
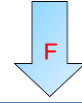


# GC79\_F

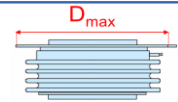
## BAR CLAMP FOR HOCKEY PUK DEVICES



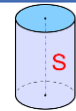
**$F = 10 \text{ kN} \div 20 \text{ kN}$**



**$D_{max} = 66 \text{ mm}$**



**$S = 11.5 \div 140.5 \text{ mm}$**



**$T_{op} = -30 \div 230 \text{ }^\circ\text{C}$**



Scan this QR code to download this datasheet

To display 3D images correctly, please use last version of Acrobat PDF Reader <https://get.adobe.com/it/reader/>  
 (Once the application has started, click the Options button and then select: "Trust this document one time only", then click on the 3D image and wait until the upload is complete)

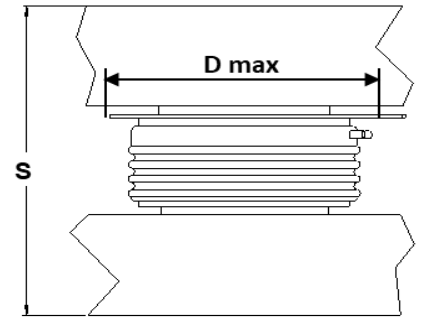
Characteristic	Unit	Types	Testing conditions	Values		
				Min	Typ	Max
F	Clamping Force	kN		10		20
$\Delta F$	Clamping Force tolerance	%				$\pm 10\%$
$V_{INS}$	Insulation Voltage	V	50 Hz, RMS, 60 s		3000	
$D_s$	Surface creepage distance	mm			28	
$D_a$	Air strike distance	mm			20,3	
m	Mass	g	GC79S...F	410		510
			GC79B...F	690		830
	Insulating Material		Polyphenylene Oxide			PPO
			Polyphenylene Sulfide			PPS
	UL Files		PPO			E121562
			PPS			E95746
$T_{op}$	Operating temperature range	$^\circ\text{C}$	PPO	-30		110
			PPS	-30		230
CTI	Comparative Tracking Index	V	PPO	According to UL746	225,0	
			PPS	According to IEC112/3rd	250,0	
	Flammability	mm	PPO	UL94 V-1 Flame class rating	1,5	
				UL94 V-0 Flame class rating	6,0	
			PPS	UL94 V-0 Flame class rating	1,6	

**ORDERING INFORMATION TABLE**

Use this part numbering system to order

<b>GC79</b>	<b>B</b>	<b>N</b>	<b>B</b>	<b>A</b>	<b>20</b>	<b>F</b>	<b>S</b>	<b>H</b>	<b>X</b>	<b>L</b>
	(1)	(2)	(3)	(4)	(5)	(6)	(7)	(8)	(9)	

<b>(1) Construction type:</b>	<b>B</b> = with reaction bar
	<b>S</b> = without reaction bar
<b>(2) Insulator position:</b>	<b>N</b> = on load bar
	<b>R</b> = on reaction bar
<b>(3) Insulator code:</b>	<b>_</b> = no insulating cup
	<b>other</b> : see table below
<b>(4) Bolt code:</b>	<b>_</b> = no bolt
	<b>1</b> = only D8 special washers, no bolts
	<b>other</b> : see table below
<b>(5) Clamping force (in kN):</b>	<b>10 kN ÷ 20 kN</b> , with step of 1 kN
<b>(6) Special accessories</b>	<b>blank</b> = no accessories
	<b>S</b> = extra bar spacer (*)
<b>(7) Insulating cup material</b>	<b>0</b> = standart PPO insulating cup
	<b>H</b> high temperature PPS insulating cup
<b>(8) Bolt steel type</b>	<b>0</b> = standard 8.8 steel bolts
	<b>X</b> = A2 stainless steel bolts (**)
<b>(9) Bars thickness</b>	<b>0</b> = standart bars thickness (15 mm)



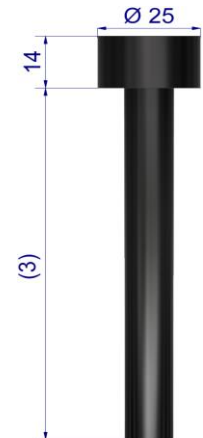
**S** : Total thickness of the assembly to be clamped  
**D max** : Max inner diameter allowable

 (\*) Needed to reduce  $S_{Min}$  if a lower allowed clearance is required

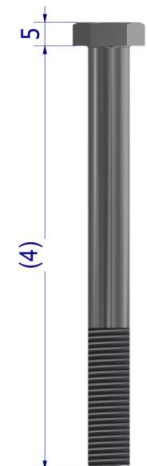
(\*\*) Suggested for high current applications, magnetic sensitive applications or any application working in very high E.M. fields

**Type GC79BN...F: suggested insulator/bolt types**

Allowed clearance <b>S</b>		Insulator choice		Bolt choice		Max height
$S_{Min}$ [mm]	$S_{Max}$ [mm]	(3)	Ins. Length [mm]	(4)	Bolt Length [mm]	T [mm]
11,5	25,5	Z	34	U	70	92
16,5	30,5	Z	34	V	75	97
21,5	35,5	A	50	W	80	102
31,5	45,5	A	50	Y	90	112
41,5	55,5	B	70	Z	100	122
51,5	65,5	B	70	A	110	132
61,5	75,5	B	70	B	120	142
65,5	85,5	C	95	C	130	158
75,5	95,5	C	95	D	140	168
85,5	105,5	C	95	E	150	178
95,5	115,5	D	120	F	160	188
105,5	125,5	D	120	G	170	198

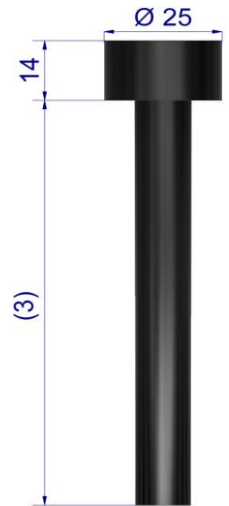

**Type GC79BR...F: suggested insulator/bolt types**

Allowed clearance <b>S</b>		Insulator choice		Bolt choice		Max height
$S_{Min}$ [mm]	$S_{Max}$ [mm]	(3)	Ins. Length [mm]	(4)	Bolt Length [mm]	T [mm]
11,5	25,5	Z	34	U	70	99
16,5	30,5	Z	34	V	75	104
21,5	35,5	A	50	W	80	109
31,5	45,5	A	50	Y	90	119
41,5	55,5	B	70	Z	100	129
51,5	65,5	B	70	A	110	139
61,5	75,5	B	70	B	120	149
65,5	85,5	C	95	C	130	159
75,5	95,5	C	95	D	140	169
85,5	105,5	C	95	E	150	179
95,5	115,5	D	120	F	160	189
105,5	125,5	D	120	G	170	199



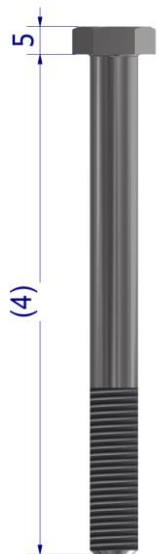
Type GC79SN...F: suggested insulator/bolt types

Allowed clearance S		Insulator choice		Bolt choice		Max height
S <sub>Min</sub> [mm]	S <sub>Max</sub> [mm]	(3)	Ins. Length [mm]	(4)	Bolt Length [mm]	T [mm]
11,5	25,5	Z	34	U	70	78
16,5	30,5	Z	34	V	75	83
21,5	35,5	A	50	W	80	88
31,5	45,5	A	50	Y	90	98
41,5	55,5	B	70	Z	100	108
51,5	65,5	B	70	A	110	118
61,5	75,5	B	70	B	120	128
65,5	85,5	C	95	C	130	138
75,5	95,5	C	95	D	140	148
85,5	105,5	C	95	E	150	158
95,5	115,5	D	120	F	160	168
105,5	125,5	D	120	G	170	178

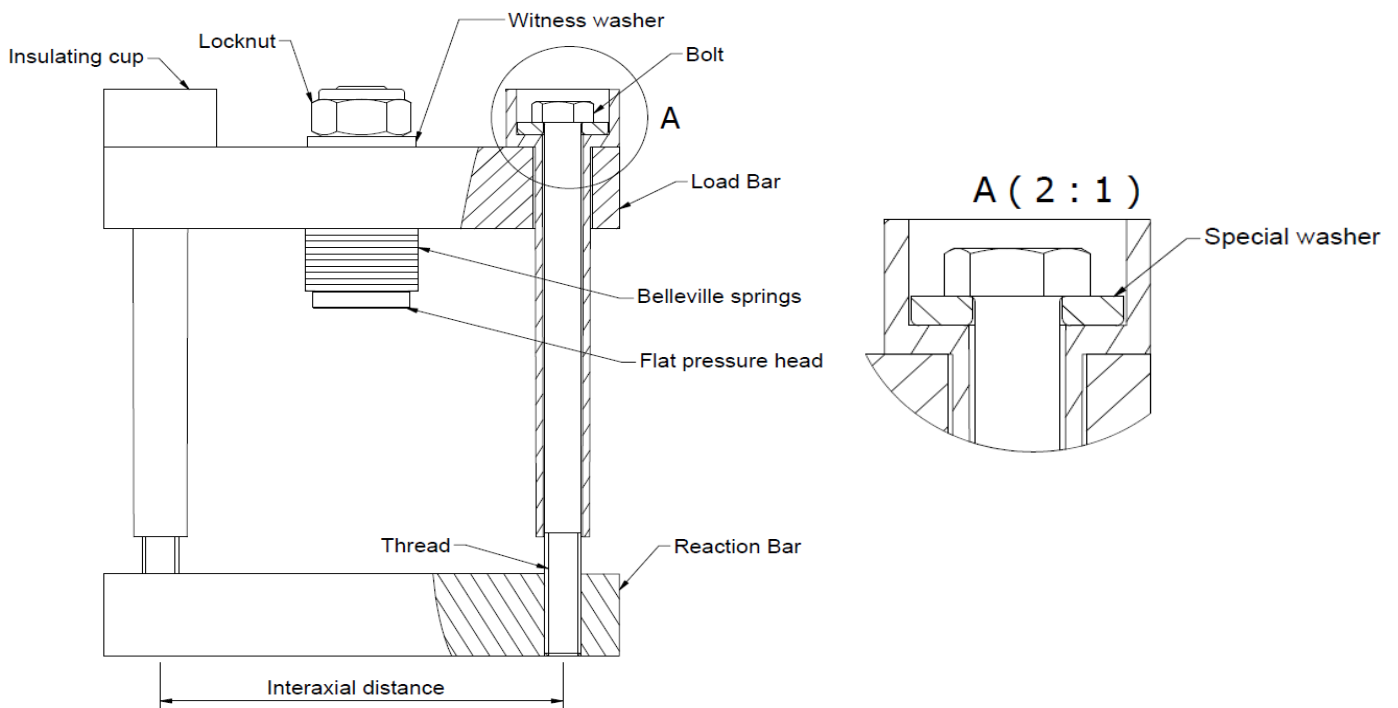


Type GC79SR...F: suggested insulator/bolt types

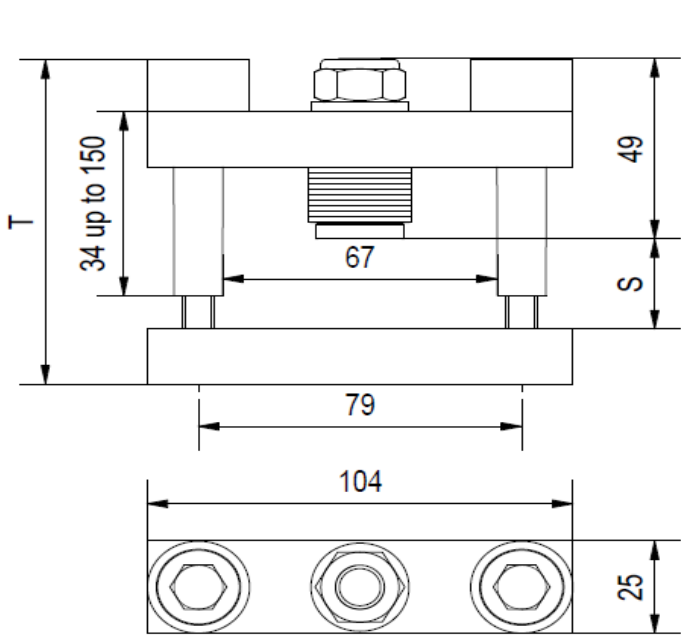
Allowed clearance S		Insulator choice		Bolt choice		Max height
S <sub>Min</sub> [mm]	S <sub>Max</sub> [mm]	(3)	Ins. Length [mm]	(4)	Bolt Length [mm]	T [mm]
26,5	40,5	Z	34	U	70	99
31,5	45,5	Z	34	V	75	104
36,5	50,5	A	50	W	80	109
46,5	60,5	A	50	Y	90	119
56,5	70,5	B	70	Z	100	129
66,5	80,5	B	70	A	110	139
76,5	90,5	B	70	B	120	149
80,5	100,5	C	95	C	130	159
90,5	110,5	C	95	D	140	169
100,5	120,5	C	95	E	150	179
110,5	130,5	D	120	F	160	189
120,5	140,5	D	120	G	170	199



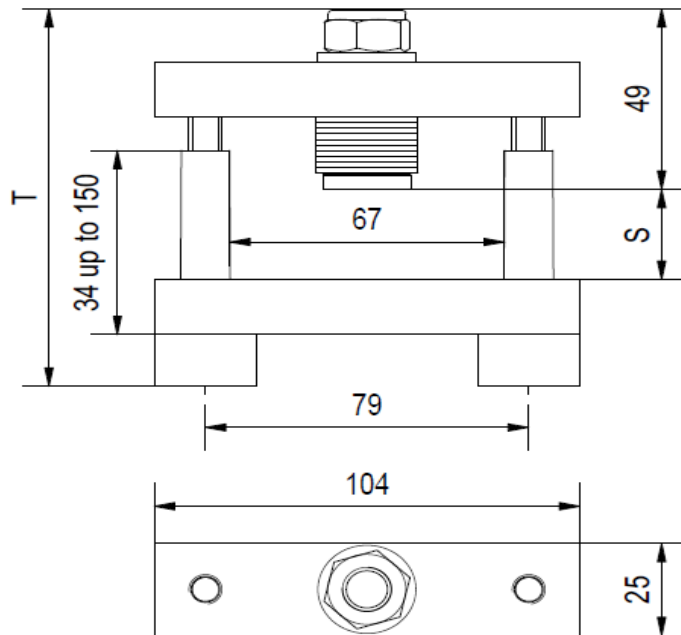
BAR CLAMP COMPONENTS LEGEND



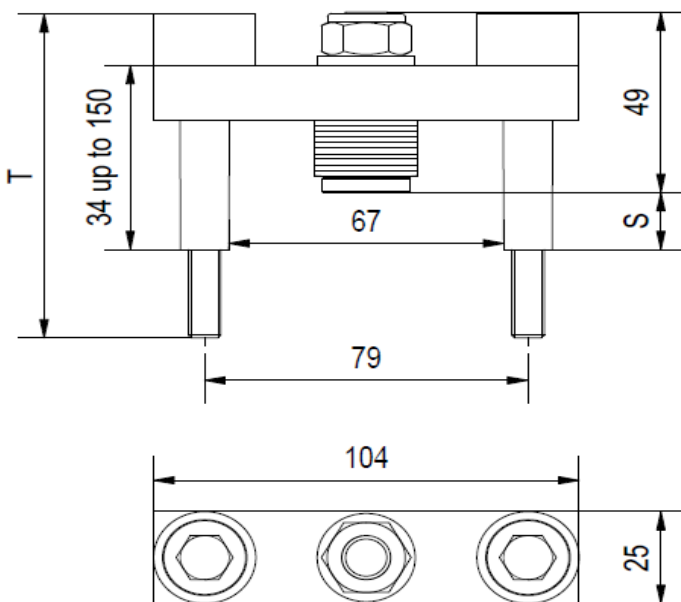
BAR CLAMP OUTLINES



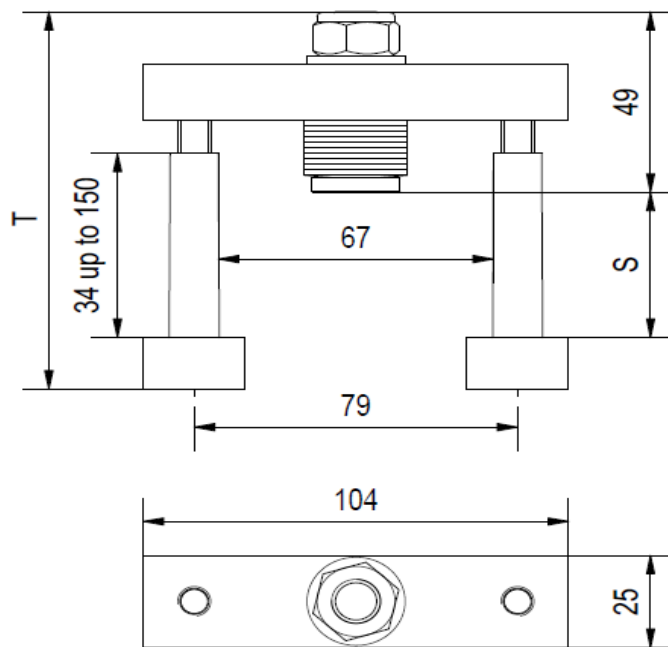
GC79BN...F



GC79BR...F



GC79SN...F



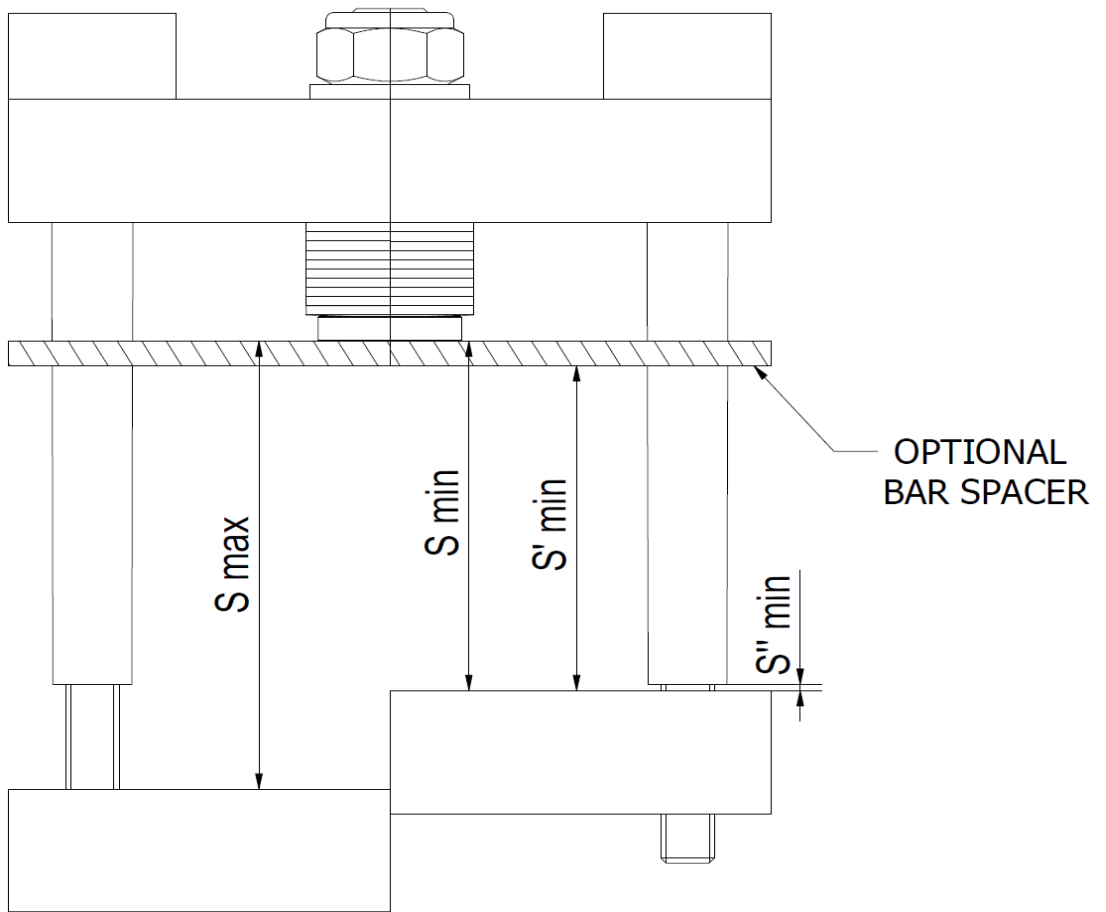
GC79SR...F

Dimensions in mm - Tolerances according to ISO 2768 MK

Step files of clamp structures may be downloaded at [www.gpsemi.it/stepfiles/GC79\\_F\(file step\).zip](http://www.gpsemi.it/stepfiles/GC79_F(file step).zip)

or using this QR



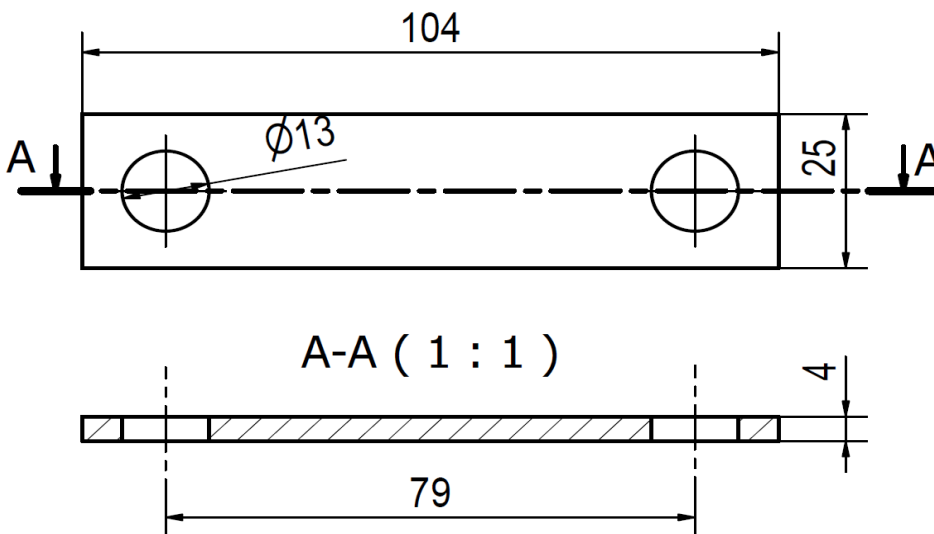


S''\_min = 1 mm (minimum clearance between insulator and reaction bar)

**SPECIAL ACCESSORIES**

The following special accessories are available on request (see ordering information table)

**Bar spacer**



Dimensions in mm - Tolerances according to ISO 2768 MK

In the interest of product improvement Green Power Solutions reserves the right to change any specification given in this data sheet without notice.