

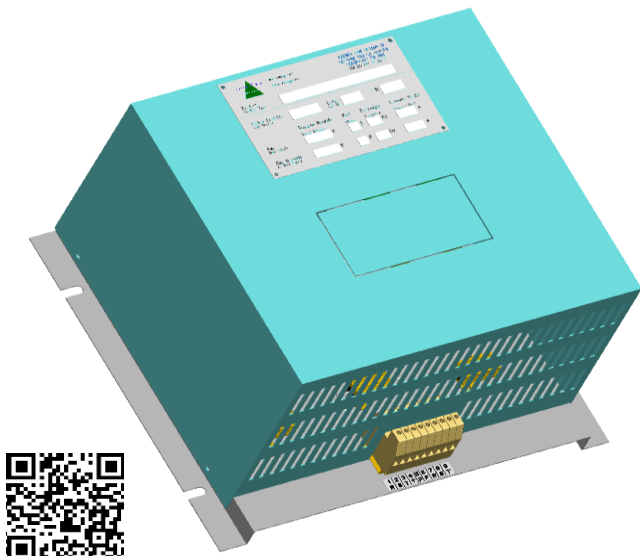
# GFA0002-00

## LINE FILTER FOR PHASE CONTROLLED CONVERTERS

IP 20 construction  
 Compact construction  
 High filter capacity  
 Easy paralleling for increased filter capacity

**LINE VOLTAGE UP TO 208 V**

**TRANSFORMER POWER UP TO 1500 kVA**



Line to line voltage	<b>173 V</b>	<b>190 V</b>	<b>200 V</b>	<b>208 V</b>
----------------------	--------------	--------------	--------------	--------------

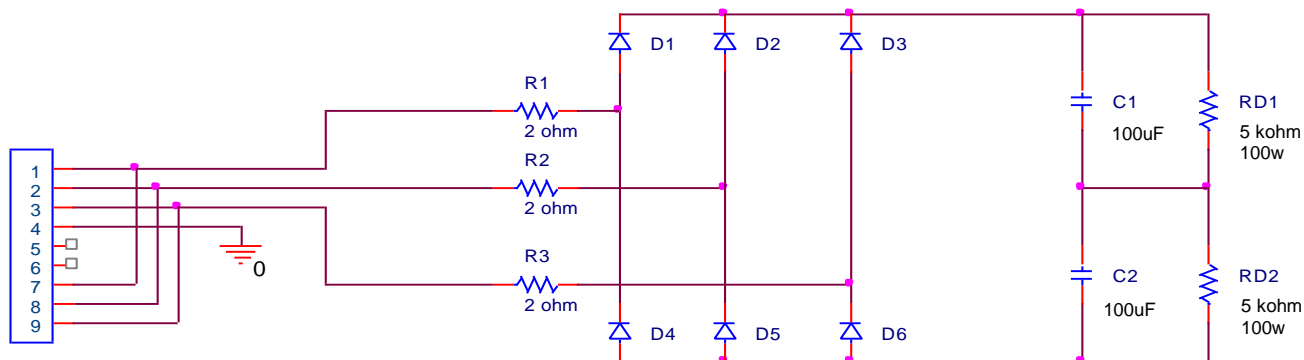
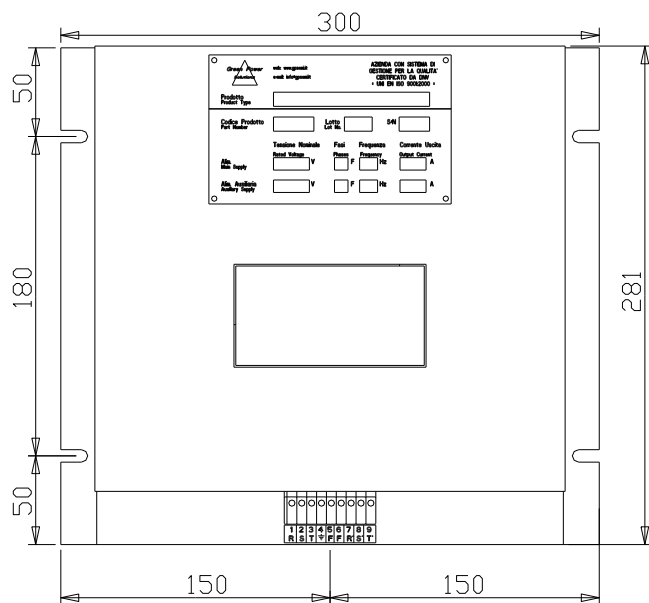
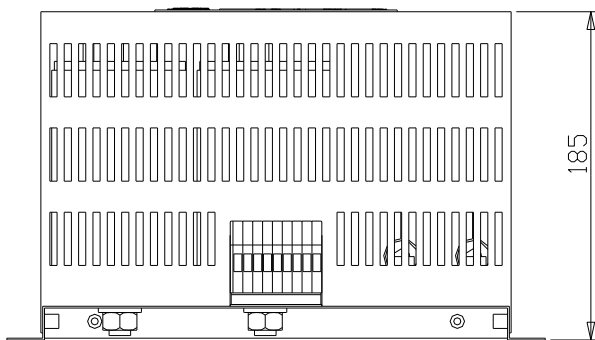
Characteristic		Conditions	Value	Value	Value	Value
S <sub>MAX</sub>	Maximum transformer power	Z <sub>CC</sub> < 5%; f=50Hz; I <sub>0</sub> <1%; VRRM = 1200V	1050 kVA	1250 kVA	1400 kVA	1500 kVA
V <sub>INS (rms)</sub>	Insulation voltage	1 min @ 25°C	2500 V <sub>DC</sub>	2500 V <sub>DC</sub>	2500 V <sub>DC</sub>	2500 V <sub>DC</sub>
P <sub>L</sub>	Power losses		40 W	40 W	40 W	40 W

### COMPONENTS RATINGS

C <sub>F</sub>	Total filter capacitance		50 μF	50 μF	50 μF	50 μF
R <sub>D</sub>	Discharge resistance		20 kΩ	20 kΩ	20 kΩ	20 kΩ
LE <sub>C</sub>	Capacitor life expectancy	@U <sub>RMS</sub>	> 30000 h	> 30000 h	> 30000 h	> 30000 h

### MECHANICAL AND THERMAL CHARACTERISTICS

W	Width		300 mm	300 mm	300 mm	300 mm
D	Depth		185 mm	185 mm	185 mm	185 mm
H	Height		281 mm	281 mm	281 mm	281 mm
M	Mass		5.7 kg	5.7 kg	5.7 kg	5.7 kg
T <sub>a max</sub>	Max amb. op. Temp.		50 °C	50 °C	50 °C	50 °C
T <sub>stg</sub>	Storage temperature		60 °C	60 °C	60 °C	60 °C



All dimensions are in mm

Customisations are available on request. Please contact factory.

In the interest of product improvement Green Power Solutions reserves the right to change any specification given in this data sheet without notice.