

GFA202570

LINE FILTER FOR PHASE CONTROLLED CONVERTERS

IP 20 construction
 Compact construction
 High filter capacity
 Easy paralleling for increased filter capacity

LINE VOLTAGE UP TO 690 V
TRANSFORMER POWER UP TO 2700 kVA



Line to line voltage	240 V	400 V	500 V	690 V
----------------------	--------------	--------------	--------------	--------------

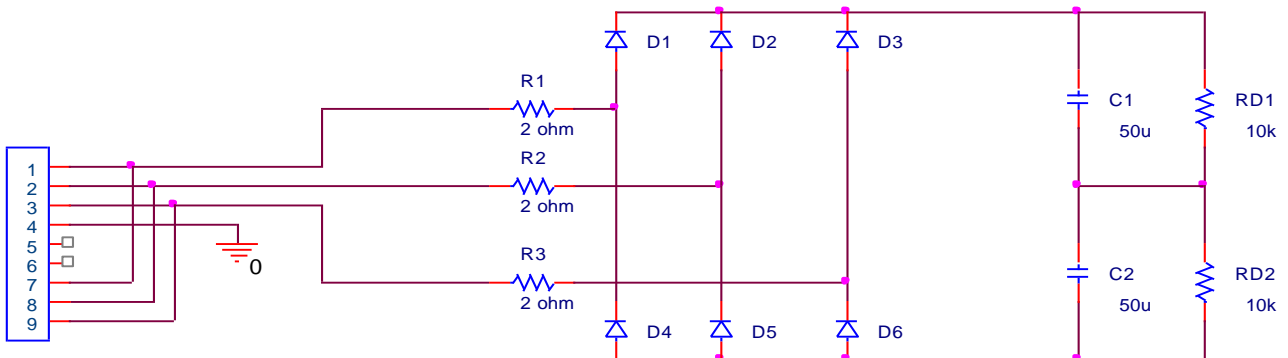
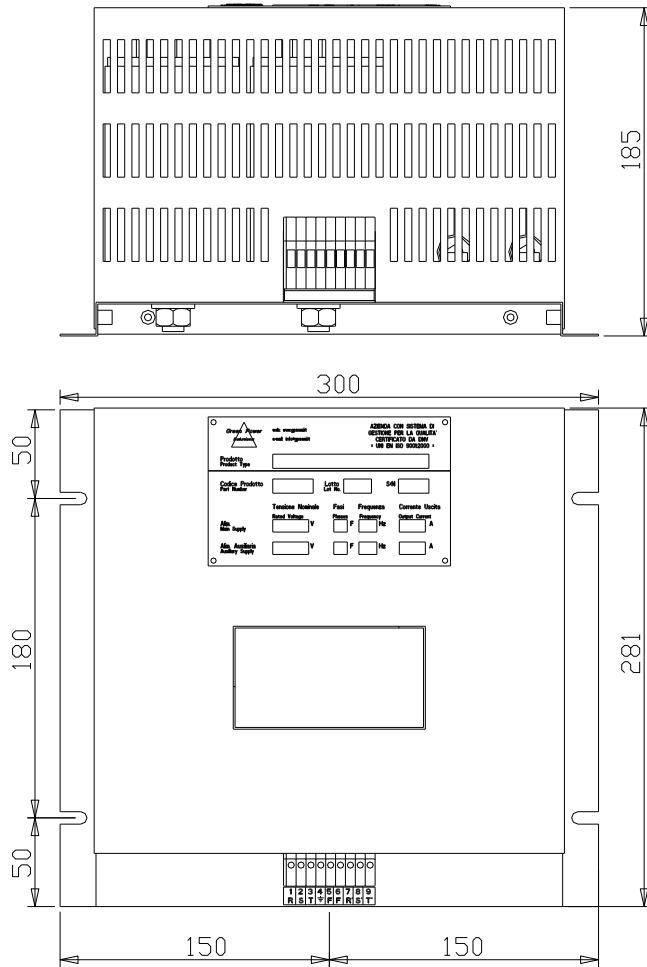
Characteristic		Conditions	Value	Value	Value	Value
S _{MAX}	Maximum transformer power	Z _{CC} < 5%; f=50Hz; I ₀ <1%; VRRM = 1200V for 240/400 V _{AC} Line, 1600V for 500V _{AC} Line, 2200V for 690VAC Line	750 kVA	1500 kVA	2500 kVA	2700 kVA
V _{INS (rms)}	Insulation voltage	1 min @ 25°C	2500 V _{DC}	2500 V _{DC}	2500 V _{DC}	2500 V _{DC}
P _L	Power losses		20 W	20 W	25 W	50 W

COMPONENTS RATINGS

C _F	Total filter capacitance		25 μF	25 μF	25 μF	25 μF
R _D	Discharge resistance		20 kΩ	20 kΩ	20 kΩ	20 kΩ
LE _C	Capacitor life expectancy	@U _{RMS}	> 30000 h	> 30000 h	> 30000 h	> 30000 h

MECHANICAL AND THERMAL CHARACTERISTICS

W	Width		300 mm	300 mm	300 mm	300 mm
D	Depth		185 mm	185 mm	185 mm	185 mm
H	Height		281 mm	281 mm	281 mm	281 mm
M	Mass		5 kg	5 kg	5 kg	5 kg
T _{a max}	Max amb. op. Temp.		50 °C	50 °C	50 °C	50 °C
T _{stg}	Storage temperature		60 °C	60 °C	60 °C	60 °C



All dimensions are in mm

Customisations are available on request. Please contact factory.

In the interest of product improvement Green Power Solutions reserves the right to change any specification given in this data sheet without notice.