

GOA7xxxx

SINGLE PHASE AC-SWITCH

Water cooled
 Plastic case SCR's

LINE VOLTAGE UP TO 690V
OUTPUT CURRENT UP TO 1800A

	GOA70518	GOA74011	GOA76011
Line to line voltage	50 V	400 V	690 V

Characteristic		Conditions	Value	Value	Value
IRMS	R.M.S. output current	Water flow 5 l/min	1800 A	1170 A	1170 A
		T water 30 °C			

THYRISTOR CHARACTERISTICS

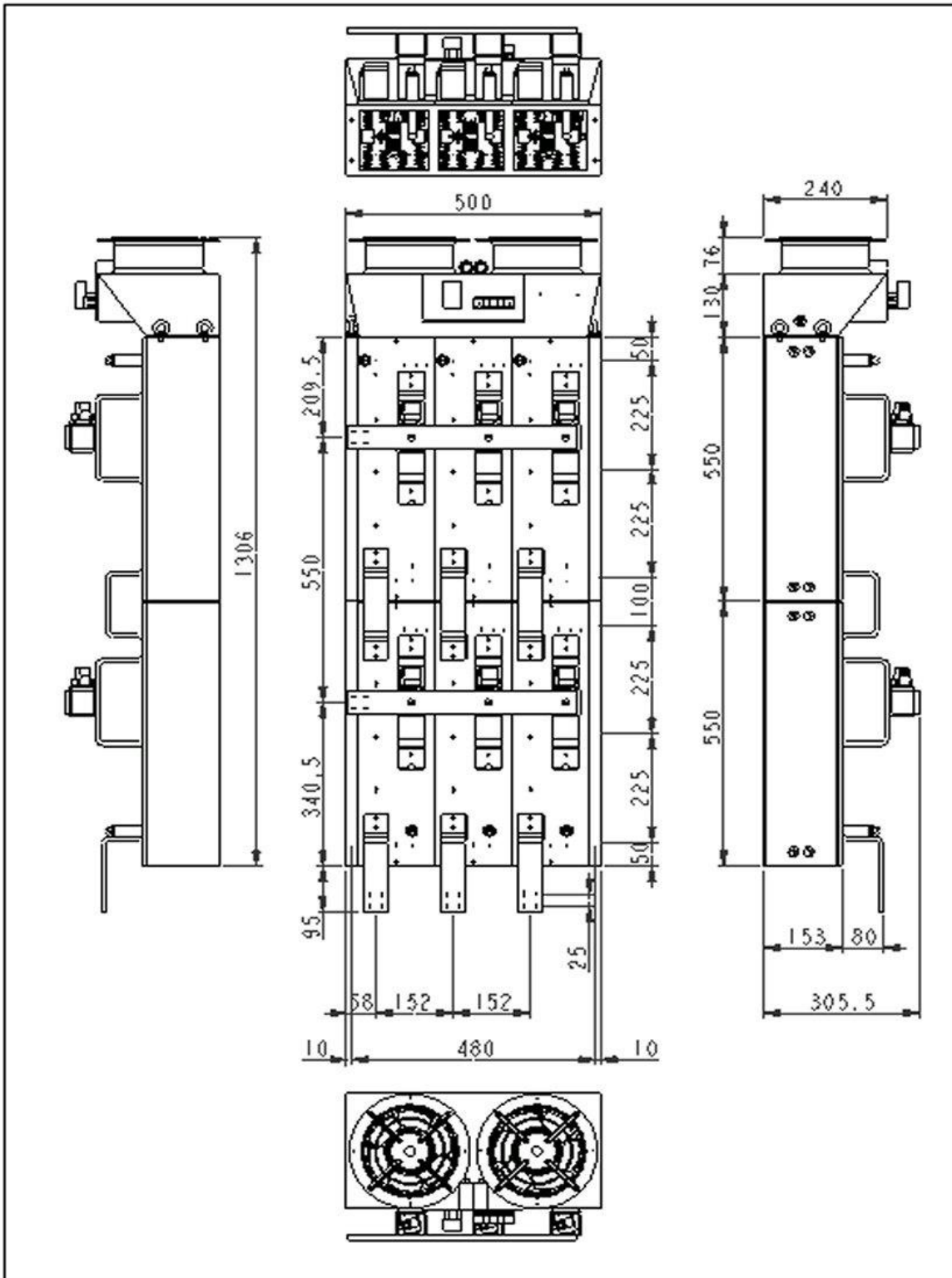
V _{GT}	Gate trigger voltage	T _j = 25 °C, V _D = 5 V	3 V	3.5 V	3.5 V
I _{GT}	Gate trigger current	T _j = 25 °C, V _D = 5 V	150 mA	200 mA	200 mA
dV/dt	Critical rate of rise off-state voltage	T _j = 125 °C	500 V/us	500 V/us	500 V/us
V _{RRM}	Blocking Voltage	T _j = 125 °C	400 V	1600 V	1600 V

MECHANICAL AND THERMAL CHARACTERISTICS

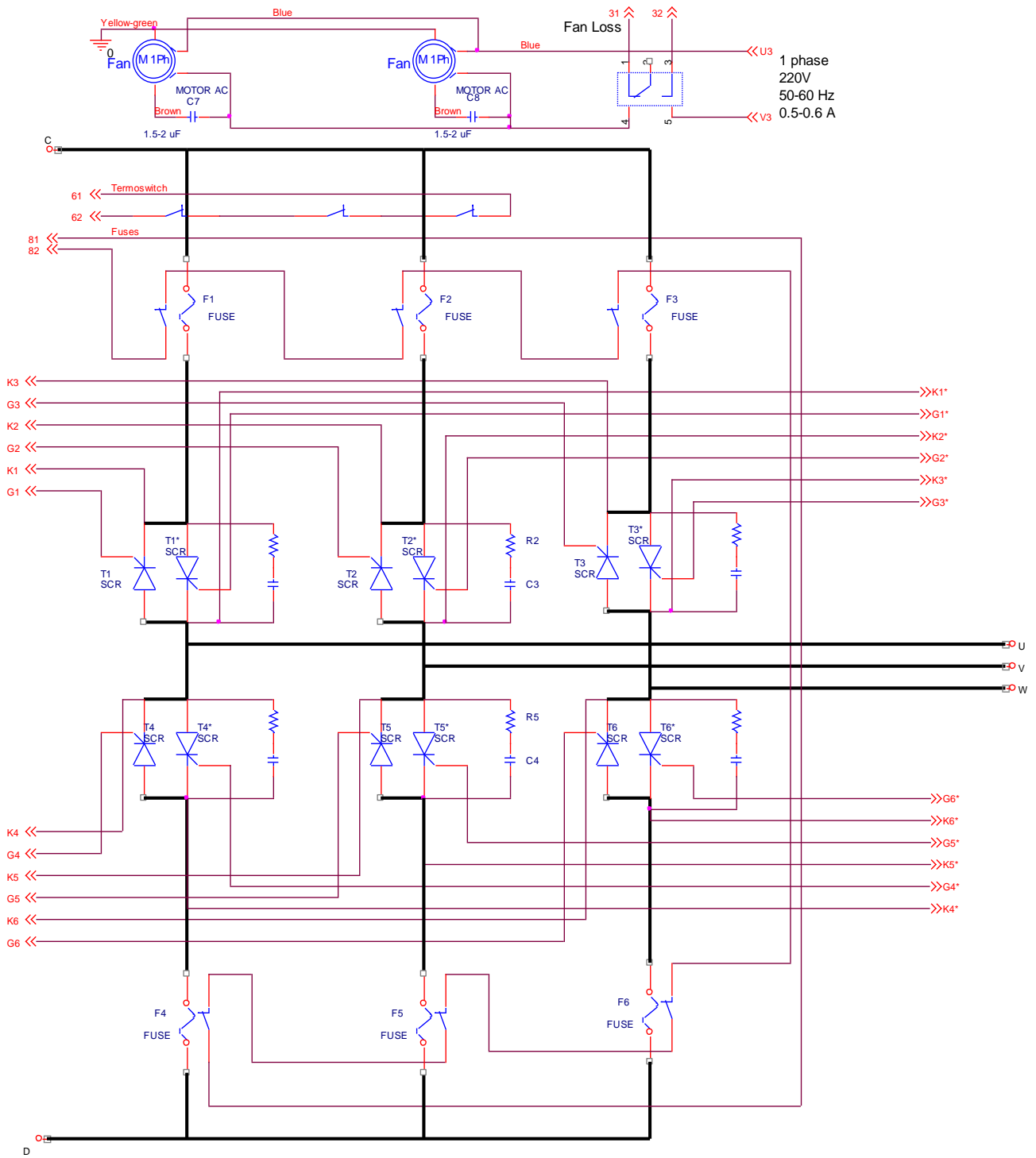
	Mass		3 kg	3 kg	3 kg
T _a max	Max amb. op. Temp.		40 °C	40 °C	40 °C
T _j max	Max. junction temperature		150 °C	125 °C	125 °C

ORDERING INFORMATION

GOA7.... - ABCD				
A	Water connection	0 - None	1 - Rubber-hose connection	2 - Quick coupling
B	Water circuit	0 - None	1 - Rubber tube	2 - Rilsan® tube
C	Terminal board	0 - Not present	1 - Present	
D	Power connection	0 - Threaded holes	1 - "S" shaped bars	



In the interest of product improvement Green Power Semiconductors reserves the right to change any specification given in this data sheet without notice.



In the interest of product improvement Green Power Semiconductors reserves the right to change any specification given in this data sheet without notice.