

GOA9xx05W

THREE PHASE AC SWITCH

- Fuse protection
- Temperature sensors
- Snubber for SCR's protections
- Water cooling
- Lowest overall dimensions

LINE VOLTAGE UP TO 600V

OUTPUT PHASE CURRENT 500A



GOG940... GOG950... GOG960...

Line to line voltage	400	500	600
----------------------	-----	-----	-----

Characteristic		Conditions	Value	Value	Value
I_{RMS}	Output phase current		500 A	500 A	500 A
V_{INS} (rms)	Insulation voltage		3000 V	3000 V	3000 V

THYRISTOR CHARACTERISTICS

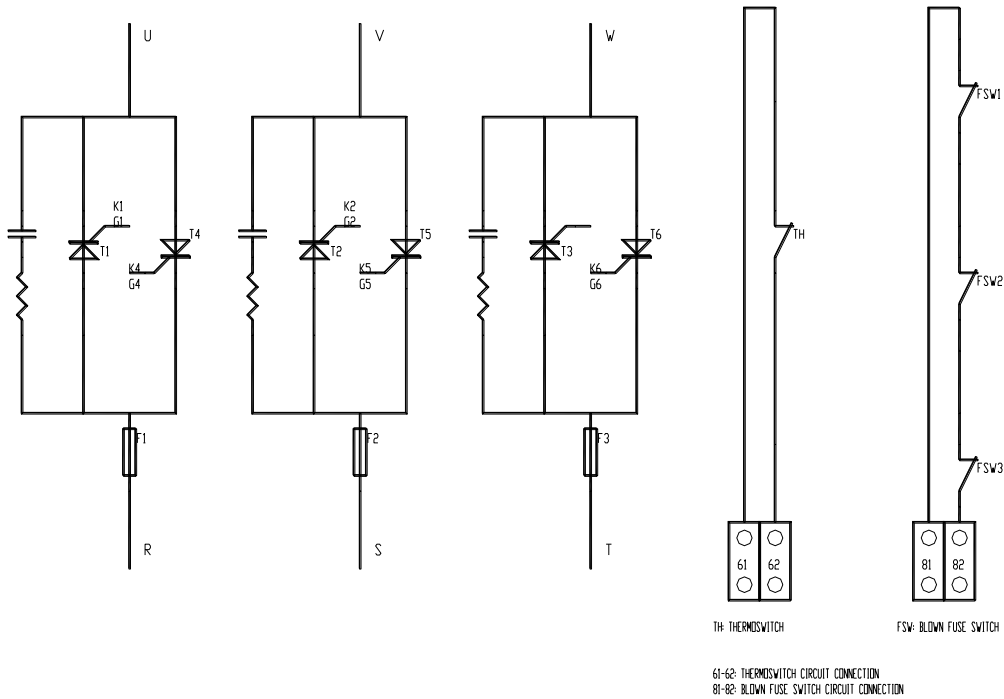
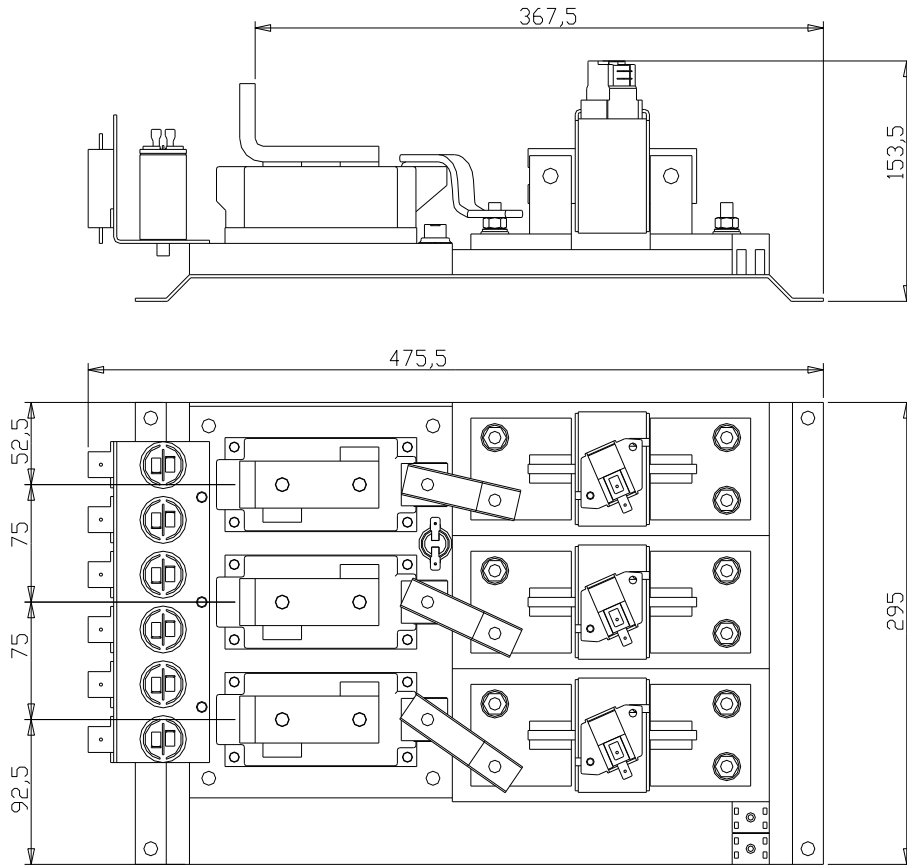
V_{GT}	Gate trigger voltage	$T_j = 25\text{ }^\circ\text{C}, V_D = 5\text{ V}$	3 V	3 V	3 V
I_{GT}	Gate trigger current	$T_j = 25\text{ }^\circ\text{C}, V_D = 5\text{ V}$	300 mA	300 mA	300 mA
dV/dt	Critical rate of rise off-state voltage	$T_j = 125\text{ }^\circ\text{C}$	1000 V/us	1000 V/us	1000 V/us
V_{RRM}	Blocking Voltage	$T_j = 125\text{ }^\circ\text{C}$	1200 V	1600 V	2200 V

FUSE TYPE SIBA 20666132.500

V_{NF}	Rated voltage		690 V	690 V	690 V
I_{NF}	Rated current		500 A	500 A	500 A
P_{VF}	Power loss	At rated current	72 W	72 W	72 W
I^2t	Total I^2t	At 660V	180 kA ² s	180 kA ² s	180 kA ² s

MECHANICAL AND THERMAL CHARACTERISTICS

	Width		330 mm	330 mm	330 mm
	Depth		154 mm	154 mm	154 mm
	Height		476 mm	476 mm	476 mm
	Mass		30 kg	30 kg	30 kg
T_w max	Max water Temp.		30 °C	30 °C	30 °C
T_{stg}	Storage temperature		-40/60 °C	-40/60 °C	-40/60 °C



In the interest of product improvement Green Power Solutions reserves the right to change any specification given in this data sheet without notice.