

GOA9xx20

THREE PHASE AC-SWITCH

- Fuse protection
- Blown fuse indicators with microswitch
- Over temperature switches
- Fan loss detection circuit
- Snubber for SCR's protections
- Extractable stacks for easy field service

LINE VOLTAGE UP TO 500V

RMS OUTPUT CURRENT 2000 A

GOA94020 GOA95020

Line to line voltage	400 V	500 V	
----------------------	--------------	--------------	--

Characteristic		Conditions	Value	Value	
I _{RMS}	RMS output current		2000 A	2000 A	
V _{INS} (rms)	Insulation voltage		3000 V	3000 V	

THYRISTOR CHARACTERISTICS

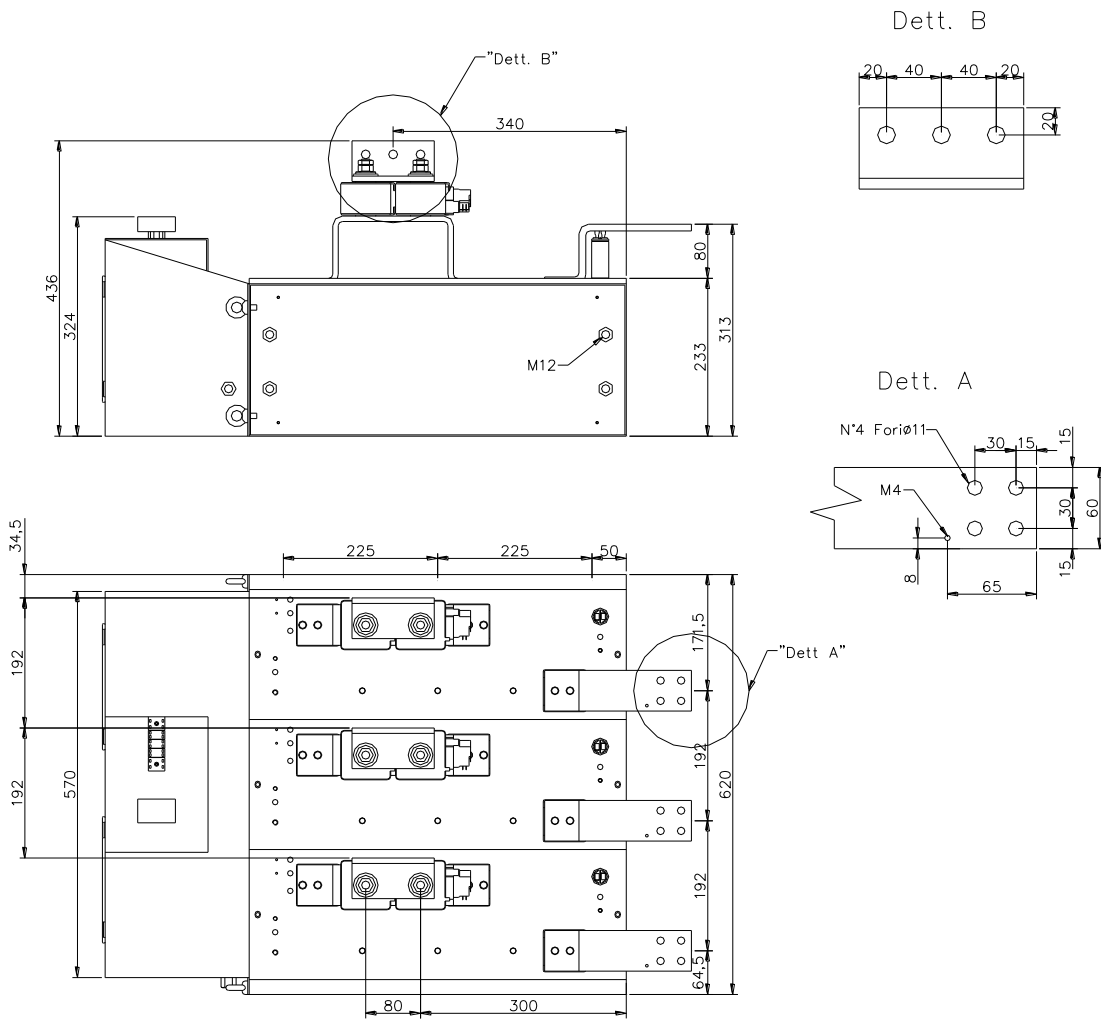
V _{GT}	Gate trigger voltage	T _j = 25 °C, V _D = 5 V	3 V	3 V	
I _{GT}	Gate trigger current	T _j = 25 °C, V _D = 5 V	300 mA	300 mA	
dV/dt	Critical rate of rise off-state voltage	T _j = 125 °C	1000 V/us	1000 V/us	
V _{RRM}	Blocking Voltage	T _j = 125 °C	1200 V	1600 V	

FUSE TYPE 2 X SIBA 2068132.1100

V _{NF}	Rated voltage		690 V	690 V	
I _{NF}	Rated current		1100 A	1100 A	
P _{VF}	Power loss	At rated current	136 W	136 W	
I ² _t	Total I ² _t	At 660 V	1200 kA ² s	1200 kA ² s	

MECHANICAL AND THERMAL CHARACTERISTICS

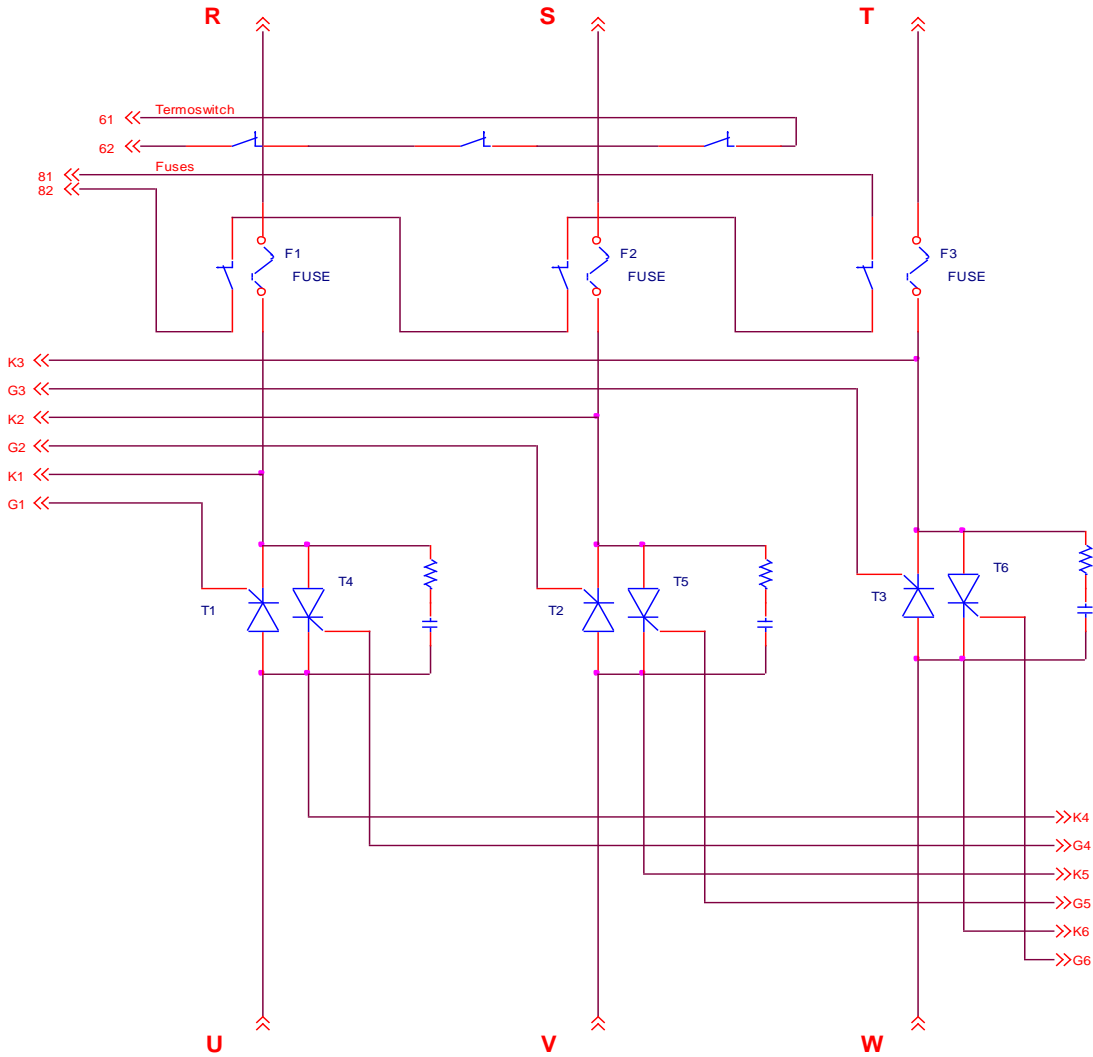
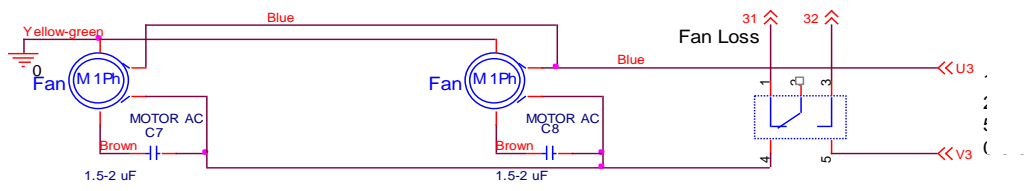
	Width		620 mm	620 mm	
	Depth		360 mm	360 mm	
	Height		855 mm	855 mm	
	Mass		100 kg	100 kg	
T _{a max}	Max amb. op. Temp.		40 °C	40 °C	
T _{stg}	Storage temperature		-40/60 °C	-40/60 °C	



The part numbering system is reported at the beginning of the Open Assembly section.

Customisations are available on request. Please contact factory.

In the interest of product improvement Green Power Solutions reserves the right to change any specification given in this data sheet without notice.



Cooling:

- Fan type: single phase axial
- Number of fans: 2
- Voltage: 230 V
- Current: 0.6 A
- Frequency: 50/60 Hz
- Noise: 62 dBA

In the interest of product improvement Green Power Solutions reserves the right to change any specification given in this data sheet without notice.