

# GOA9xx12

## THREE PHASE AC-SWITCH

- Fuse protection
- Blown fuse indicators with microswitch
- Over temperature switches
- Fan loss detection circuit
- Snubber for SCR's protections
- Extractable stacks for easy field service

**LINE VOLTAGE UP TO 500V**

**RMS OUTPUT CURRENT 1200 A**

**GOA94012    GOA95012**

Line to line voltage	<b>400 V</b>	<b>500 V</b>
----------------------	--------------	--------------

Characteristic		Conditions	Value	Value
I <sub>RMS</sub>	RMS output current		1200 A	1200 A
V <sub>INS</sub> (DC)	Insulation voltage		3000 V	3000 V

### THYRISTOR CHARACTERISTICS

V <sub>GT</sub>	Gate trigger voltage	T <sub>j</sub> = 25 °C, V <sub>D</sub> = 5 V	3 V	3 V
I <sub>GT</sub>	Gate trigger current	T <sub>j</sub> = 25 °C, V <sub>D</sub> = 5 V	300 mA	300 mA
dV/dt	Critical rate of rise off-state voltage	T <sub>j</sub> = 125 °C	1000 V/us	1000 V/us
V <sub>RRM</sub>	Blocking Voltage	T <sub>j</sub> = 125 °C	1200 V	1600 V

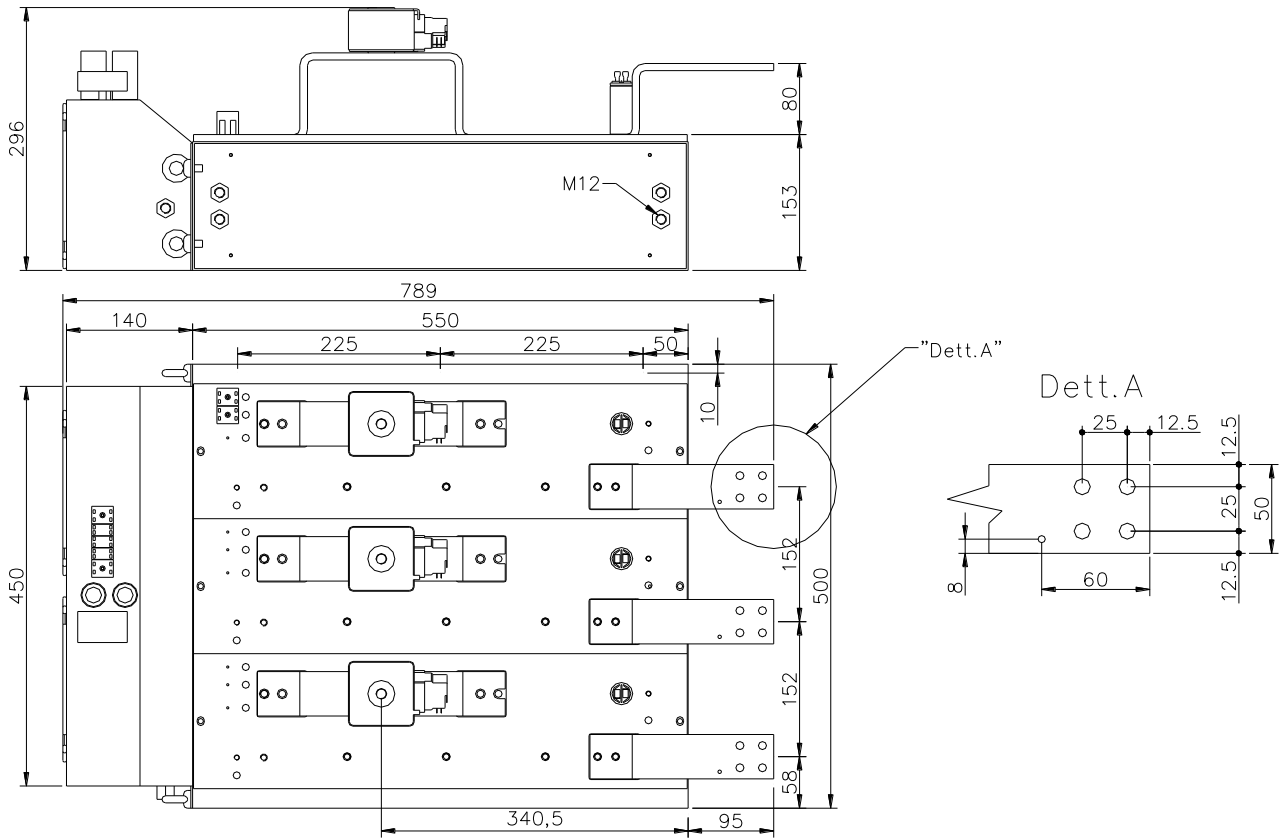
### FUSE TYPE SIBA 2068132.1400

V <sub>NF</sub>	Rated voltage		690 V	690 V
I <sub>NF</sub>	Rated current		1400 A	1400 A
P <sub>VF</sub>	Power loss	At rated current	161 W	161 W
I <sup>2</sup> <sub>t</sub>	Total I <sup>2</sup> <sub>t</sub>	At 660V	2200 kA <sup>2</sup> s	2200 kA <sup>2</sup> s

### MECHANICAL AND THERMAL CHARACTERISTICS

	Width		500 mm	500 mm
	Depth		275 mm	275 mm
	Height		855 mm	855 mm
	Mass		70 kg	70 kg
T <sub>a</sub> max	Max amb. op. Temp.		40 °C	40 °C
T <sub>stg</sub>	Storage temperature		-40/60 °C	-40/60 °C

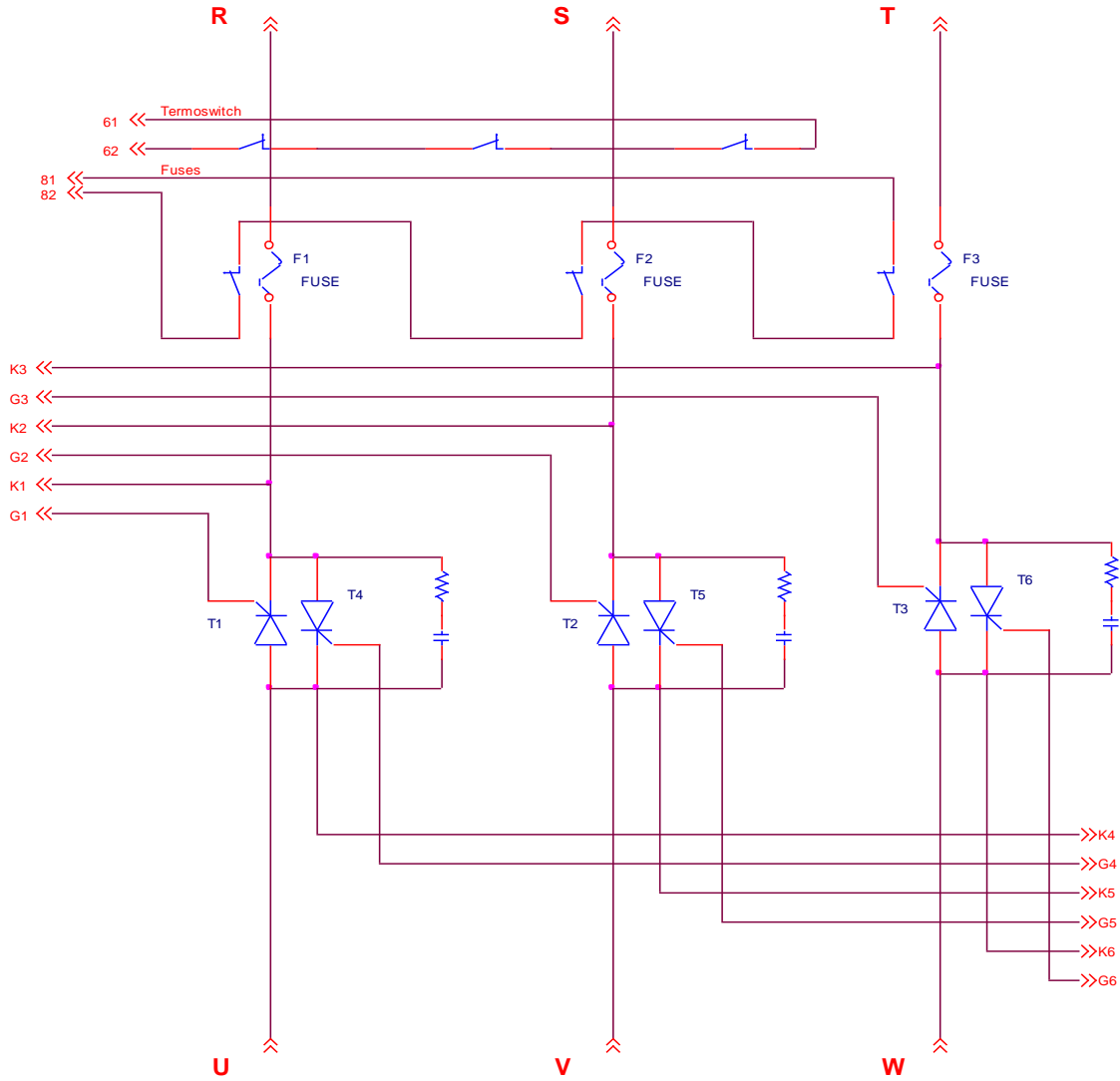
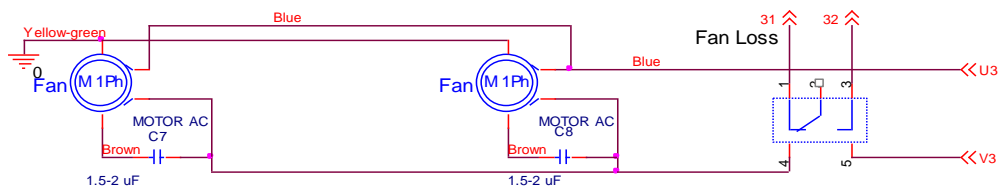




The part numbering system is reported at the beginning of the Open Assembly section.

Customisations are available on request. Please contact factory.

In the interest of product improvement Green Power Solutions reserves the right to change any specification given in this data sheet without notice.



**Cooling:**

- Fan type: single phase axial
- Number of fans: 2
- Voltage: 230 V
- Current: 0.4 A
- Frequency: 50/60 Hz
- Noise: 62 dBA

In the interest of product improvement Green Power Solutions reserves the right to change any specification given in this data sheet without notice.