

# GOB96020

## BI-DIRECTIONAL THREE PHASE AC-DC BRIDGE

- Fuse protection
- Blown fuse indicators with microswitch
- Over temperature switches
- Fan loss detection circuit
- Snubber for SCR's protections
- Extractible stacks for easy field service

**LINE VOLTAGE UP TO 690V**  
**DC OUTPUT CURRENT 2000A**

### GOB96020

Line to line voltage				<b>690 V</b>
----------------------	--	--	--	--------------

Characteristic		Conditions			Value
I <sub>DC</sub>	DC output current				2000 A
V <sub>INS</sub> (rms)	Insulation voltage				3000 V

### THYRISTOR CHARACTERISTICS

V <sub>GT</sub>	Gate trigger voltage	T <sub>j</sub> = 25 °C, V <sub>D</sub> = 5 V			3 V
I <sub>GT</sub>	Gate trigger current	T <sub>j</sub> = 25 °C, V <sub>D</sub> = 5 V			300 mA
dV/dt	Critical rate of rise off-state voltage	T <sub>j</sub> = 125 °C			1000 V/us
V <sub>R</sub> RM	Blocking Voltage	T <sub>j</sub> = 125 °C			2200 V

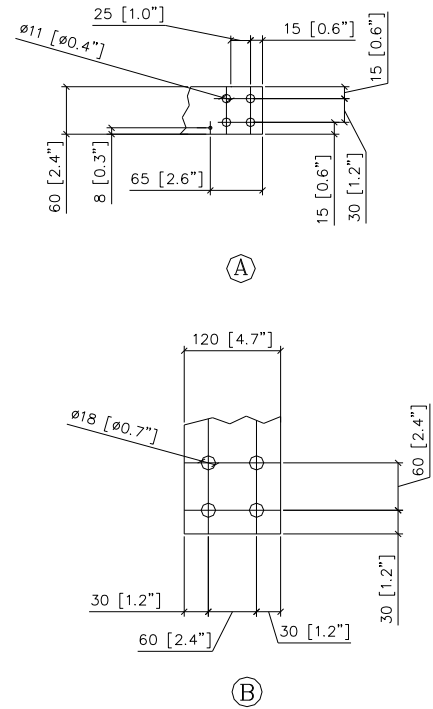
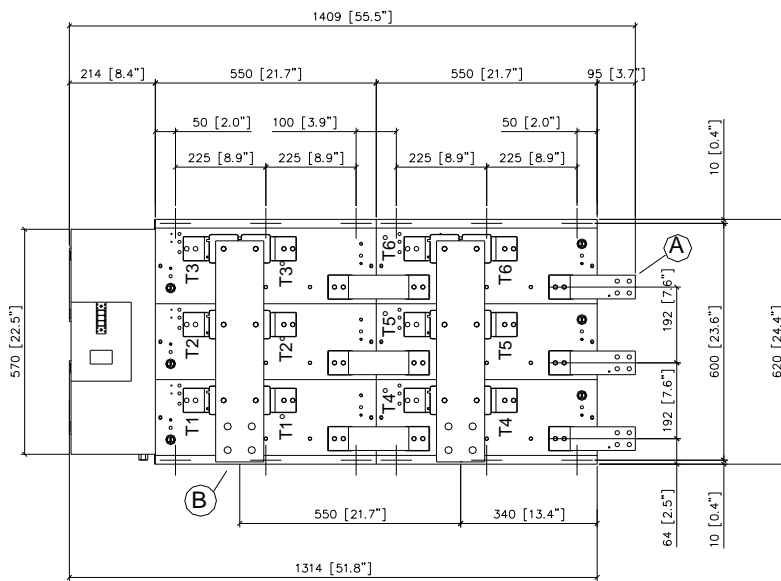
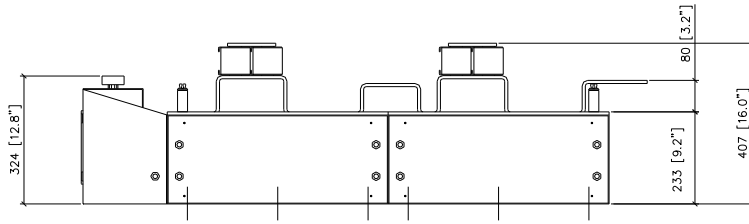
### FUSE TYPE SIBA 2078132.630

V <sub>NF</sub>	Rated voltage				1000 V
I <sub>NF</sub>	Rated current				630 A
P <sub>VF</sub>	Power loss	At rated current			120 W
I <sup>2</sup> t	Total I <sup>2</sup> t	At 1000V			480 kA <sup>2</sup> s

### MECHANICAL AND THERMAL CHARACTERISTICS

	Width				620 mm
	Depth				420 mm
	Height				1409 mm
	Mass				170 kg
T <sub>a</sub> max	Max amb. op. Temp.				40 °C
T <sub>stg</sub>	Storage temperature				-40/60 °C



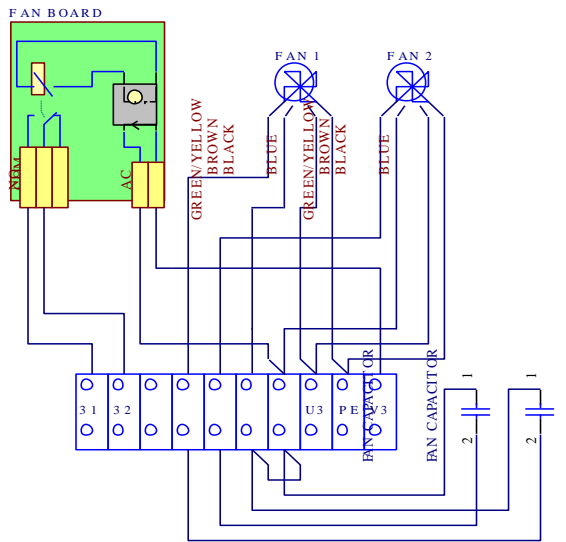
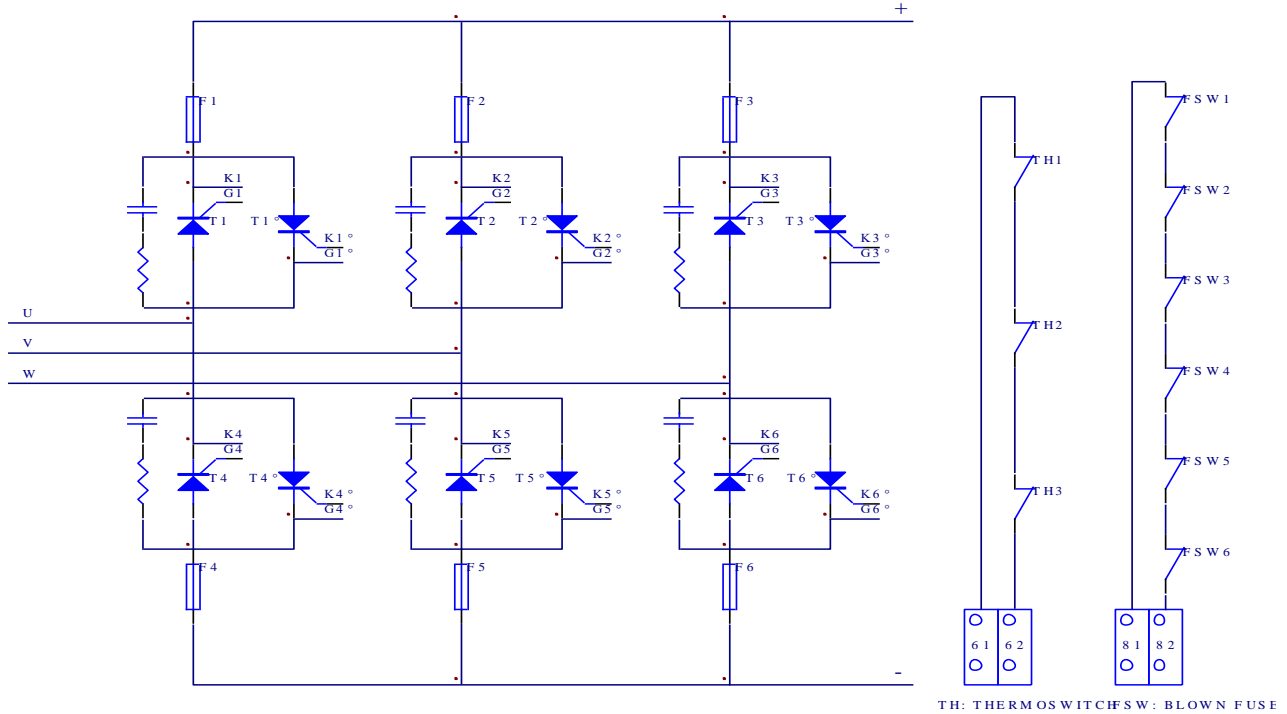


The part numbering system is reported at the beginning of the Open Assembly section.

Customisations are available on request. Please contact factory.

▪

In the interest of product improvement Green Power Solutions reserves the right to change any specification given in this data sheet without notice.



U3-V3: MAIN SUPPLY  
 PE: GROUND CONNECTION (GND)  
 3.1-3.2: FAN BOARD CONTACT (CLOSED WHEN FAN RUNNING)

6.1-6.2: THERMOSWITCH CIRCUIT CONNECTION  
 8.1-8.2: BLOWN FUSE SWITCH CIRCUIT CONNECTION

**Cooling:**

Fan type: single phase axial  
 Number of fans: 2  
 Voltage: 230 V  
 Current: 0.6 A  
 Frequency: 50/60 Hz  
 Noise: 62 dBA

In the interest of product improvement Green Power Solutions reserves the right to change any specification given in this data sheet without notice.