

GOB96024

Bi-DIRECTIONAL THREE PHASE AC-DC BRIDGE

- Fuse protection
- Blown fuse indicators with microswitch
- Over temperature switches
- Fan loss detection circuit
- Snubber for SCR's protections
- Extractible stacks for easy field service

LINE VOLTAGE UP TO 690V
DC OUTPUT CURRENT 2400A

GOB96024

Line to line voltage	690 V
----------------------	-------

Characteristic		Conditions			Value
I _{DC}	DC output current				2400 A
V _{INS} (rms)	Insulation voltage				3000 V

THYRISTOR CHARACTERISTICS

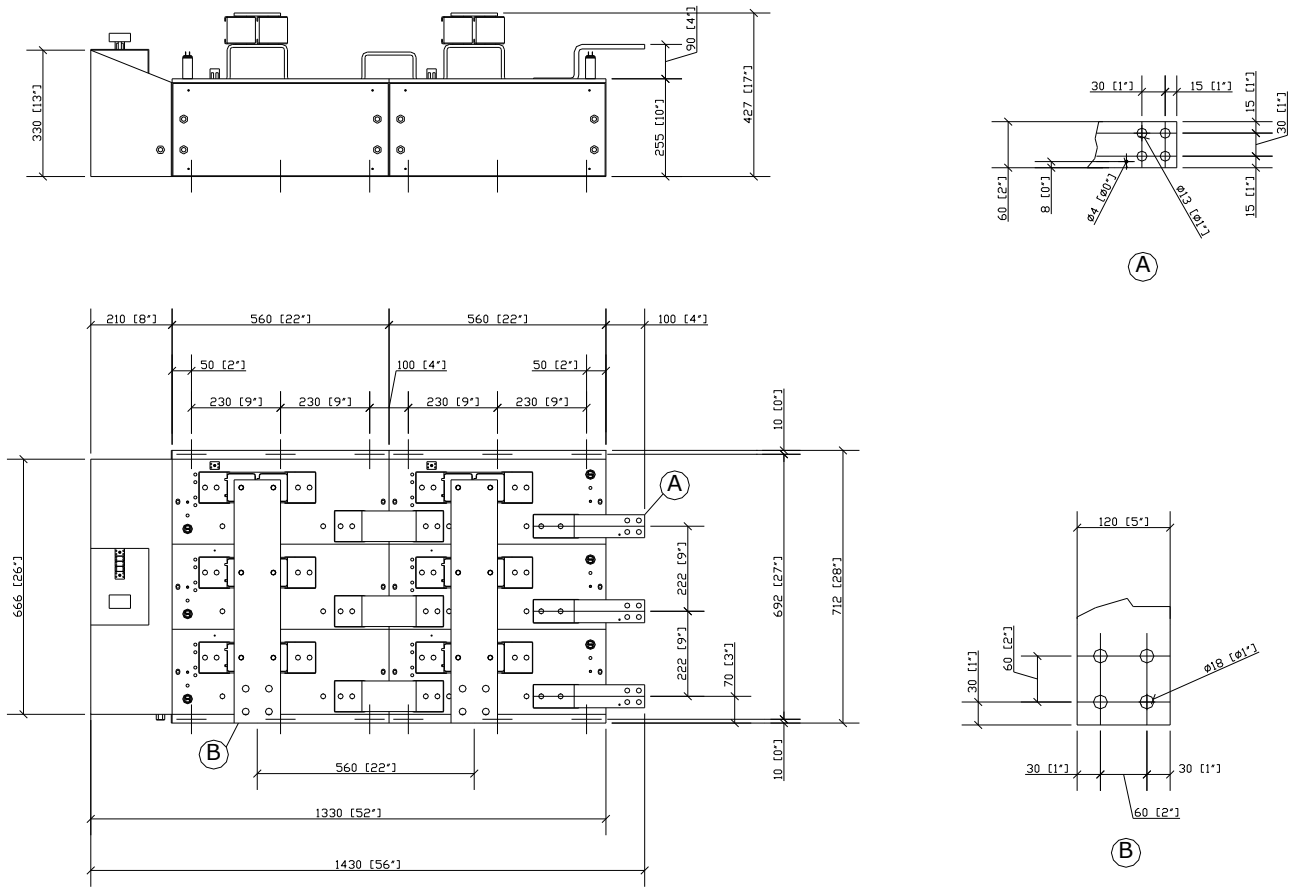
V _{GT}	Gate trigger voltage	T _j = 25 °C, V _D = 5 V			3 V
I _{GT}	Gate trigger current	T _j = 25 °C, V _D = 5 V			300 mA
dV/dt	Critical rate of rise off-state voltage	T _j = 125 °C			1000 V/us
V _{RRM}	Blocking Voltage	T _j = 125 °C			2200 V

FUSE TYPE 12x 2078132.700

V _{NF}	Rated voltage				1250 V
I _{NF}	Rated current				700 A
P _{VF}	Power loss	At rated current			131 W
I ² _t	Total I ² _t	At 1000V			640 kA ² s

MECHANICAL AND THERMAL CHARACTERISTICS

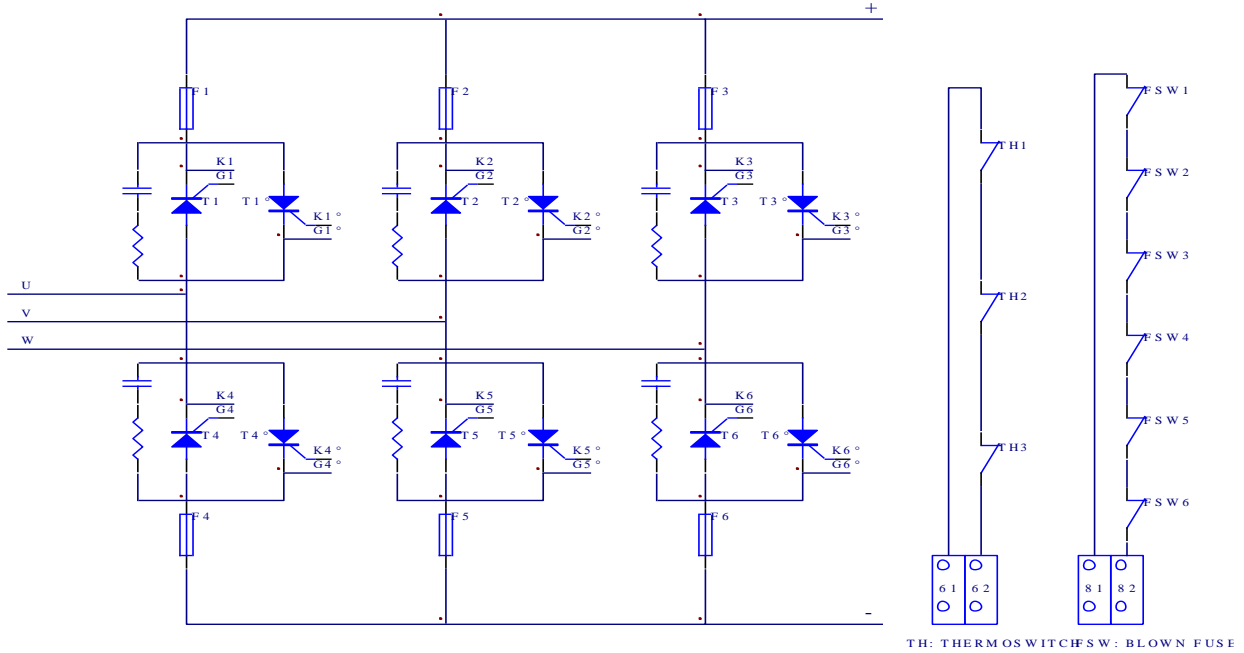
	Width				642 mm
	Depth				427 mm
	Height				1330 mm
	Mass				260 kg
T _{a max}	Max amb. op. Temp.				40 °C
T _{stg}	Storage temperature				-40/60 °C



The part numbering system is reported at the beginning of the Open Assembly section.

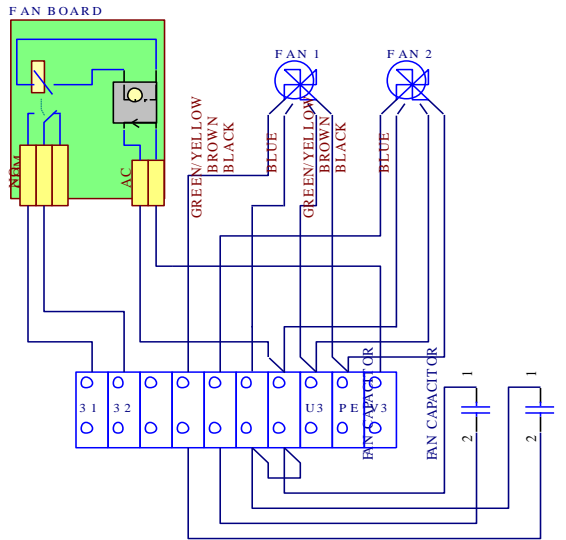
Customisations are available on request. Please contact factory.

In the interest of product improvement Green Power Solutions reserves the right to change any specification given in this data sheet without notice.



TH: THERMOSWITCH FSW: BLOWN FUSE

61-62: THERMOSWITCH CIRCUIT CONNECTION
81-82: BLOWN FUSE SWITCH CIRCUIT CONNECTION



U3-V3: MAIN SUPPLY
PE: GROUND CONNECTION (GND)
31-32: FAN BOARD CONTACT (CLOSED WHEN FAN RUNNING)

Cooling:

Fan type: single phase axial
 Number of fans: 2
 Voltage: 230 V
 Current: 0.6 A
 Frequency: 50/60 Hz
 Noise: 62 dBA

In the interest of product improvement Green Power Solutions reserves the right to change any specification given in this data sheet without notice.