

GOB9xx28

Bi-DIRECTIONAL THREE PHASE AC-DC BRIDGE

- Fuse protection
- Blown fuse indicators with microswitch
- Over temperature switches
- Fan loss detection circuit
- Snubber for SCR's protections
- Extractible stacks for easy field service

LINE VOLTAGE UP TO 500V
DC OUTPUT CURRENT 2800A

GOB94028 GOB95028

Line to line voltage	400 V	500 V
----------------------	--------------	--------------

Characteristic		Conditions	Value	Value
I _{DC}	DC output current		2800 A	2800 A
V _{INS} (rms)	Insulation voltage		3000 V	3000 V

THYRISTOR CHARACTERISTICS

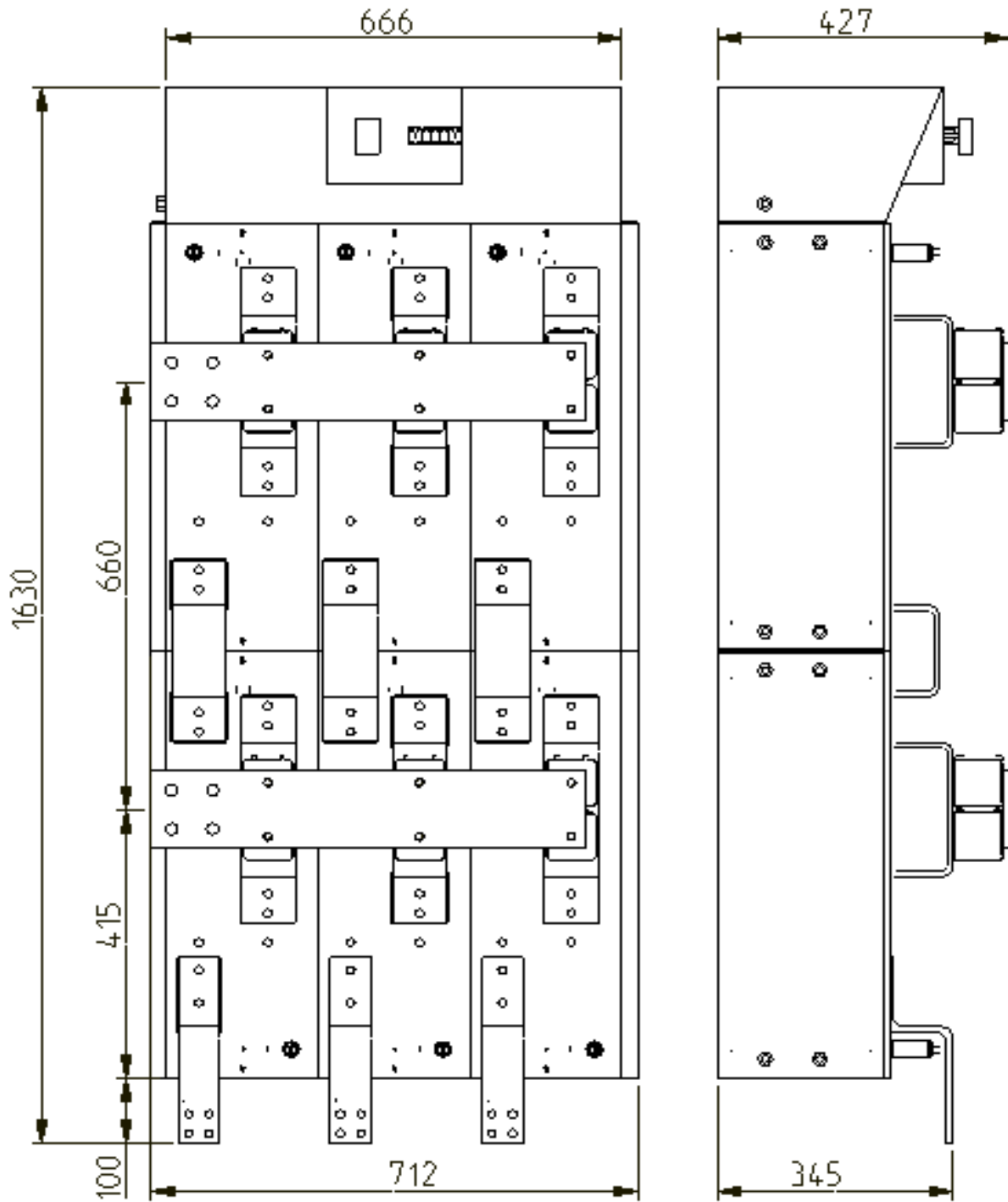
V _{GT}	Gate trigger voltage	T _j = 25 °C, V _b = 5 V	3 V	3 V
I _{GT}	Gate trigger current	T _j = 25 °C, V _b = 5 V	300 mA	300 mA
dV/dt	Critical rate of rise off-state voltage	T _j = 125 °C	1000 V/us	1000 V/us
V _{RRM}	Blocking Voltage	T _j = 125 °C	1200 V	1600 V

FUSE TYPE 12x SIBA 2068132.800

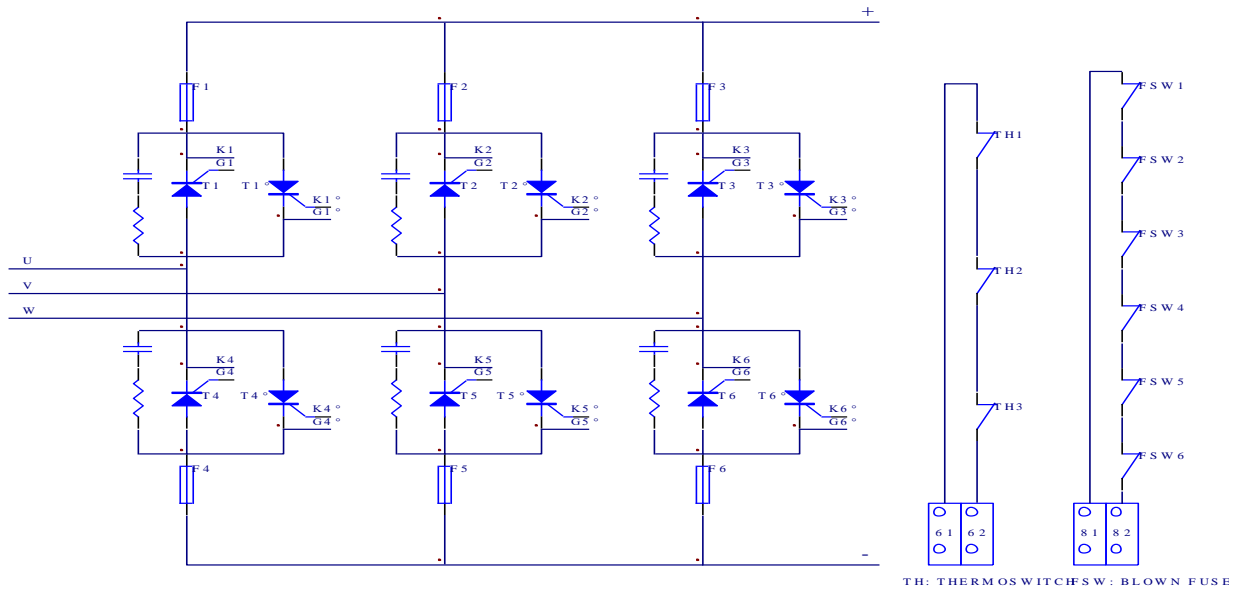
V _{NF}	Rated voltage		690 V	690 V
I _{NF}	Rated current		800 A	800 A
P _{VF}	Power loss	At rated current	118 W	118 W
I ² _t	Total I ² _t		480 kA ² s	480 kA ² s

MECHANICAL AND THERMAL CHARACTERISTICS

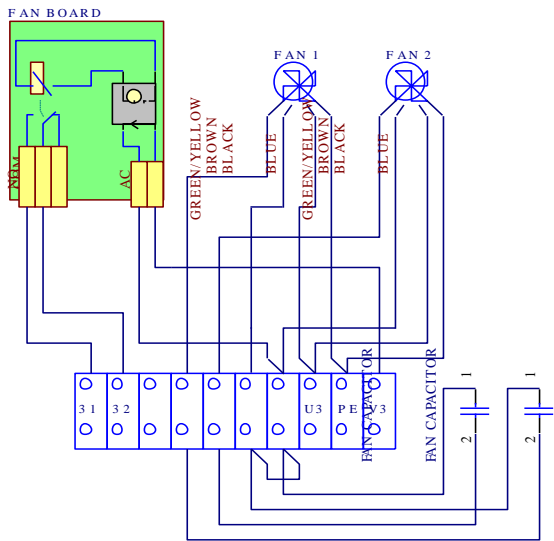
	Width		712 mm	712 mm
	Depth		495 mm	495 mm
	Height		1635 mm	1635 mm
	Mass		260 kg	260 kg
T _{a max}	Max amb. op. Temp.		40 °C	40 °C
T _{stg}	Storage temperature		-40/60 °C	-40/60 °C



In the interest of product improvement Green Power Semiconductors reserves the right to change any specification given in this data sheet without notice.



6 1 -6 2 : THERMOSWITCH CIRCUIT CONNECTION
8 1 -8 2 : BLOWN FUSE SWITCH CIRCUIT CONNECTION



U3 -V3 : M A I N S U P P L Y
P E : G R O U N D C O N N E C T I O N (G N D)
3 1 -3 2 : F A N B O A R D C O N T A C T (C L O S E D W H E N F A N R U N N I N G)

Cooling:

Fan type: single phase axial
 Number of fans: 2
 Voltage: 230 V
 Current: 1 A
 Frequency: 50/60 Hz
 Noise: 62 dBA

In the interest of product improvement Green Power Semiconductors reserves the right to change any specification given in this data sheet without notice.