

GOG91K14

THREE PHASE AC-DC BRIDGE

Fuse protection
Blown fuse indicators with microswitch
Over temperature switches
Fan loss detection circuit
Snubber for SCR's protections
Extractible stacks for easy field service

LINE VOLTAGE UP TO 1000V
DC OUTPUT CURRENT 1450 A

GOG91K14

Line to line voltage	1000 V
----------------------	---------------

Characteristic		Conditions		Value
I _{DC}	DC output current			1450 A
V _{INS} (rms)	Insulation voltage	1 min. (IEC 1461.1)		3000 V

THYRISTOR CHARACTERISTICS

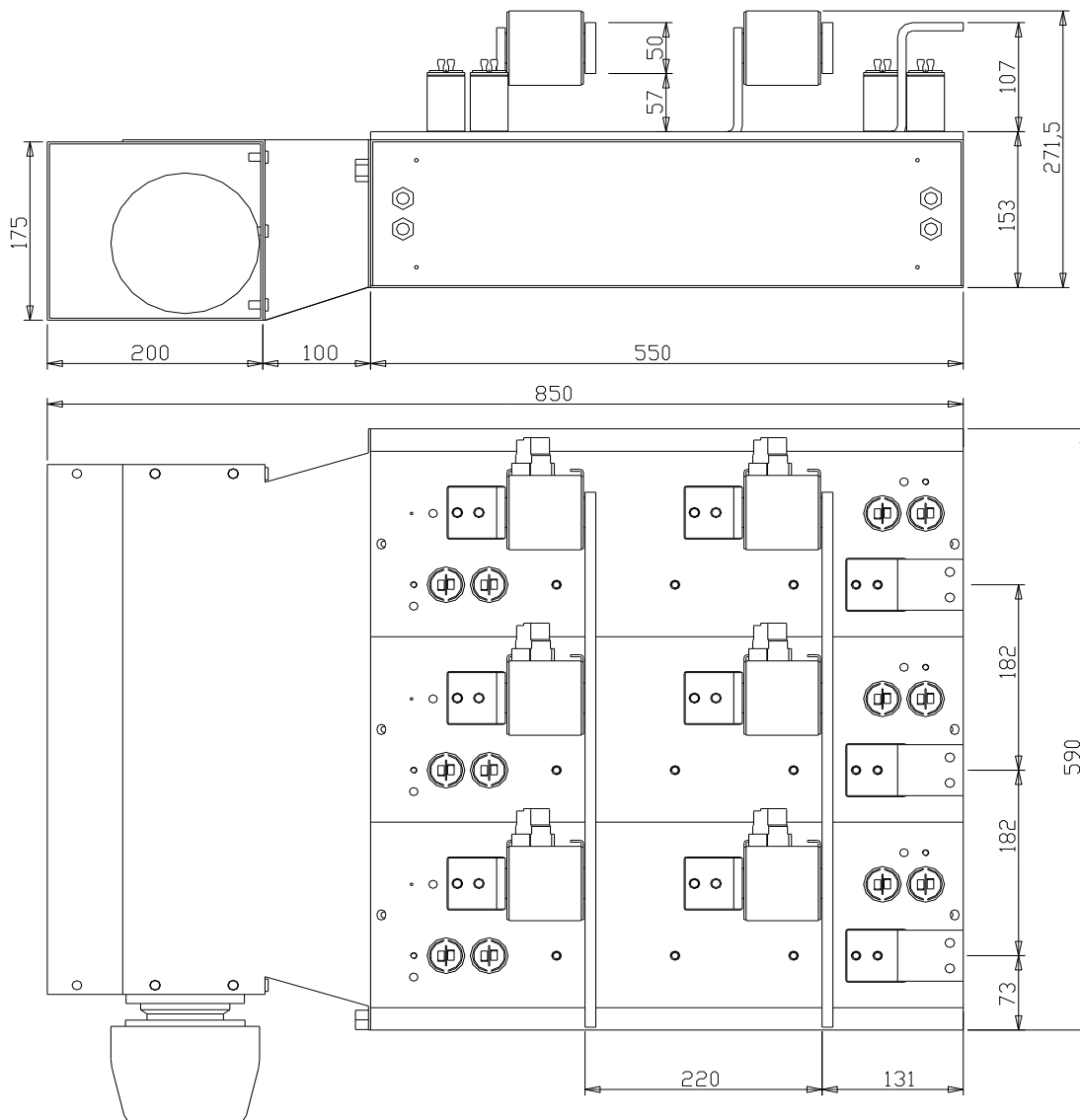
V _{GT}	Gate trigger voltage	T _j = 25 °C, V _D = 5 V		3 V
I _{GT}	Gate trigger current	T _j = 25 °C, V _D = 5 V		400 mA
dV/dt	Critical rate of rise off-state voltage	T _j = 125 °C		1000 V/us
V _{RRM}	Blocking Voltage	T _j = 125 °C		2800 V

FUSE TYPE: 2 x SIBA 2078132.800

V _{NF}	Rated voltage			1250 V
I _{NF}	Rated current			800 A
P _{VF}	Power loss	At rated current		135 W
I ² t	Total I ² t	At 1000 V		1070 kA ² s

MECHANICAL AND THERMAL CHARACTERISTICS

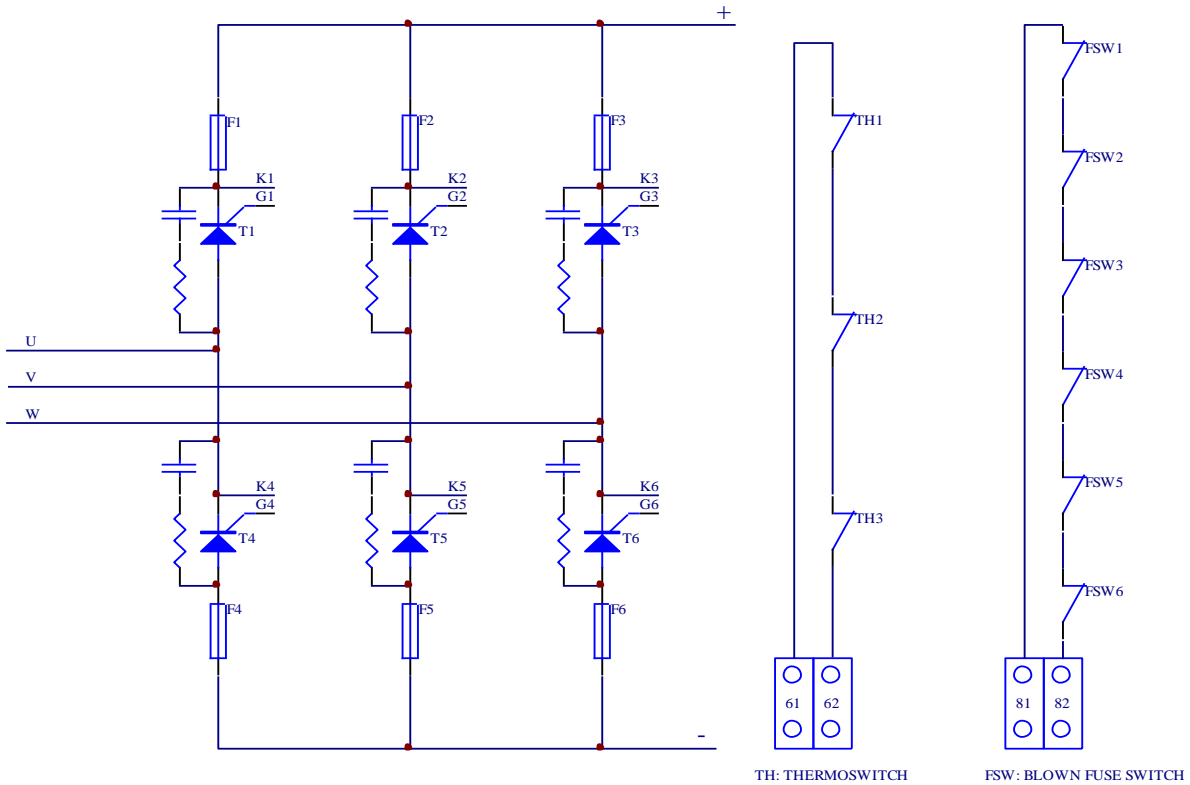
	Width			590 mm
	Depth			270 mm
	Height			850 mm
	Mass			70 kg
T _a max	Max amb. op. Temp.			40 °C
T _{stg}	Storage temperature			-40/60 °C



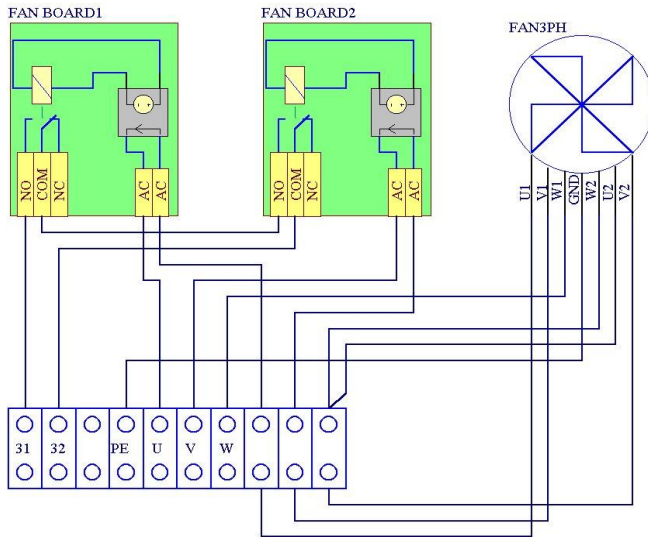
The part numbering system is reported at the beginning of the Open Assembly section.

Customisations are available on request. Please contact factory.

In the interest of product improvement Green Power Solutions reserves the right to change any specification given in this data sheet without notice.



TH: THERMOSWITCH FSW: BLOWN FUSE SWITCH



61-62: THERMOSWITCH CIRCUIT CONNECTION
81-82: BLOWN FUSE SWITCH CIRCUIT CONNECTION

U-V-W: MAIN SUPPLY
PE: GROUND CONNECTION (GND)
31-32: FAN BOARD CONTACT (CLOSED WHEN FAN RUNNING)

Cooling:

Fan type: three phase cross flow
Number of fans: 1
Voltage: 380 V
Current: 1.2 A
Frequency: 50/60 Hz
Noise: 75 dBA

In the interest of product improvement Green Power Solutions reserves the right to change any specification given in this data sheet without notice.