

GOG96010

THREE PHASE AC-DC BRIDGE

- Fuse protection
- Blown fuse indicators with microswitch
- Over temperature switches
- Fan loss detection circuit
- Snubber for SCR's protections
- Extractible stacks for easy field service

LINE VOLTAGE UP TO 690V
DC OUTPUT CURRENT 1000A

GOG96010

| | | | | |
|----------------------|--|--|--|--------------|
| Line to line voltage | | | | 690 V |
|----------------------|--|--|--|--------------|

| Characteristic | | Conditions | | | Value |
|------------------------|--------------------|------------|--|--|--------|
| I _{DC} | DC output current | | | | 1000 A |
| V _{INS} (rms) | Insulation voltage | | | | 3000 V |
| | | | | | |

THYRISTOR CHARACTERISTICS

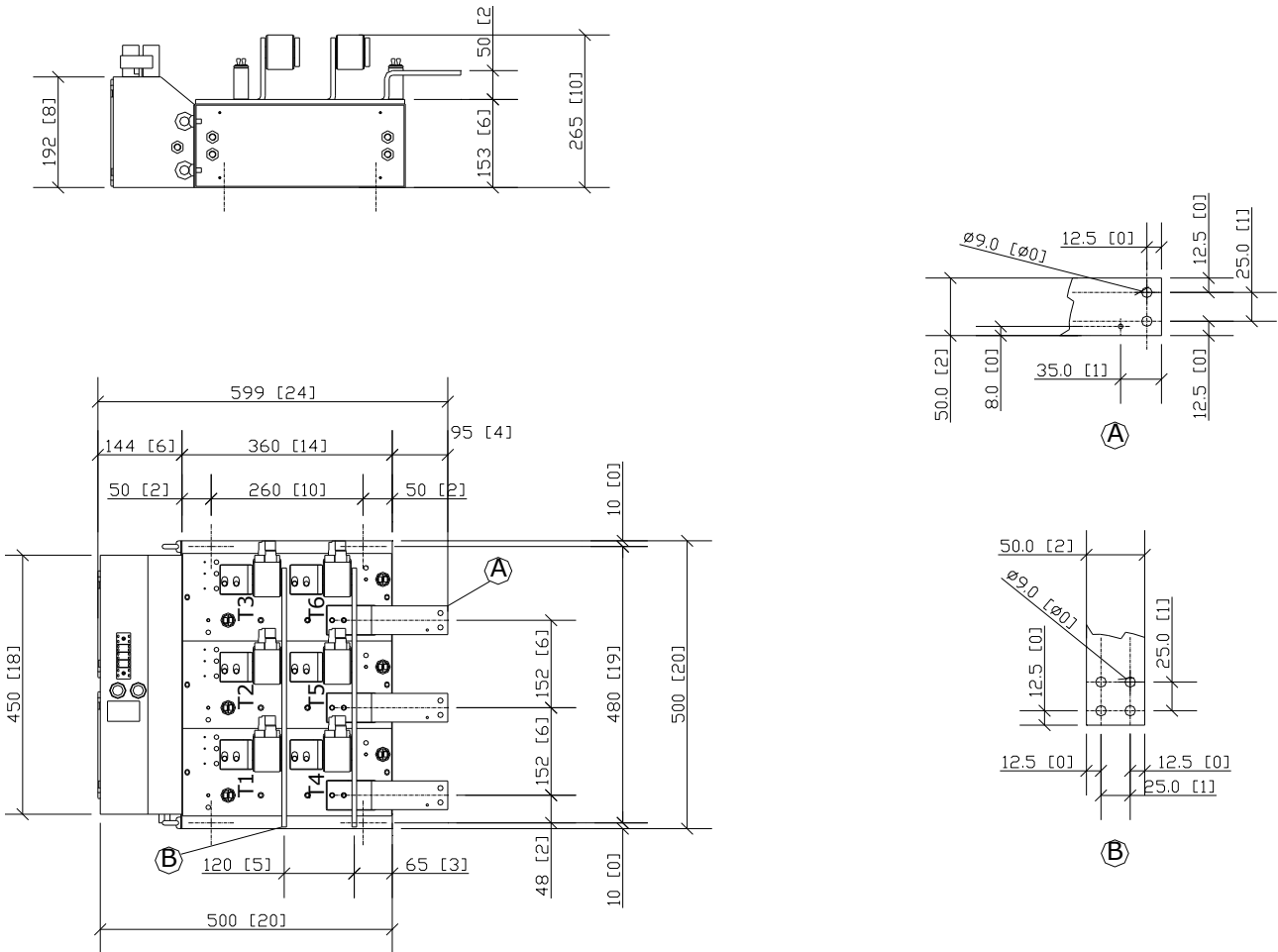
| | | | | | |
|-------------------|---|--|--|--|-----------|
| V _{GT} | Gate trigger voltage | T _j = 25 °C, V _D = 5 V | | | 2.5 V |
| I _{GT} | Gate trigger current | T _j = 25 °C, V _D = 5 V | | | 250 mA |
| dV/dt | Critical rate of rise off-state voltage | T _j = 125 °C | | | 1000 V/us |
| V _R RM | Blocking Voltage | T _j = 125 °C | | | 2200 V |

FUSE TYPE SIBA 2067132.700

| | | | | | |
|------------------|------------------------|------------------|--|--|-----------------------|
| V _{NF} | Rated voltage | | | | 690 V |
| I _{NF} | Rated current | | | | 700 A |
| P _{VF} | Power loss | At rated current | | | 99 W |
| I ² t | Total I ² t | | | | 410 kA ² s |
| | | | | | |

MECHANICAL AND THERMAL CHARACTERISTICS

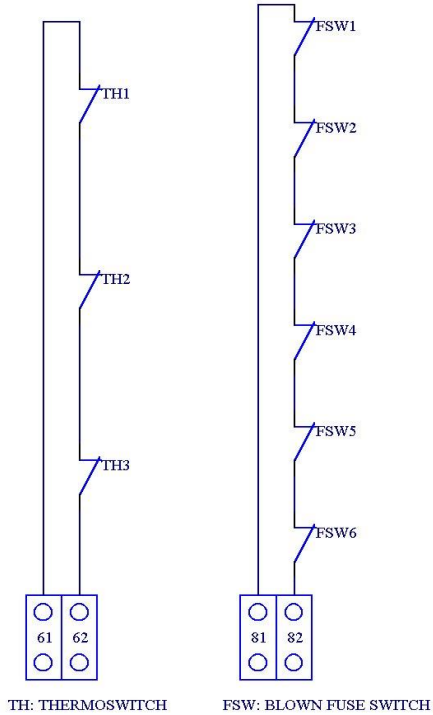
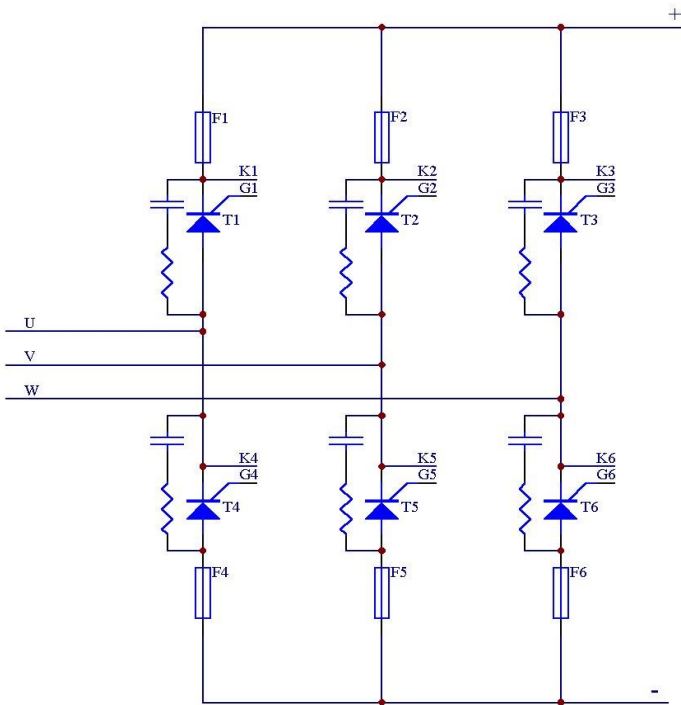
| | | | | | |
|--------------------|---------------------|--|--|--|-----------|
| | Width | | | | 500 mm |
| | Depth | | | | 275 mm |
| | Height | | | | 655 mm |
| | Mass | | | | 65 kg |
| T _a max | Max amb. op. Temp. | | | | 40 °C |
| T _{stg} | Storage temperature | | | | -40/60 °C |
| | | | | | |



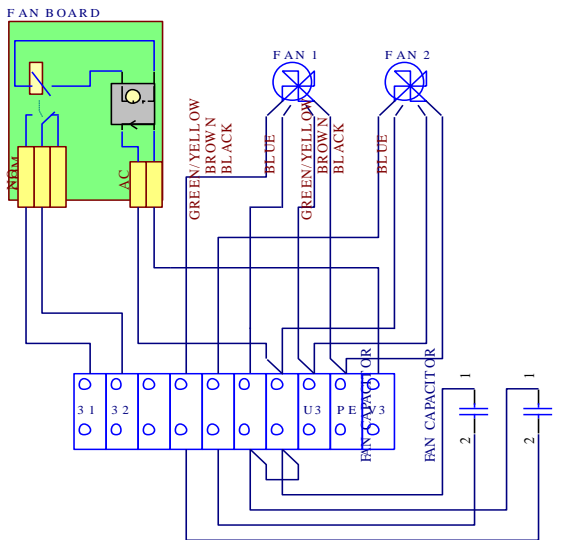
The part numbering system is reported at the beginning of the Open Assembly section.

Customisations are available on request. Please contact factory.

In the interest of product improvement Green Power Solutions reserves the right to change any specification given in this data sheet without notice.



61-62: THERMOSWITCH CIRCUIT CONNECTION
81-82: BLOWN FUSE SWITCH CIRCUIT CONNECTION



U3-V3 : MAIN SUPPLY
PE: GROUND CONNECTION (GND)
31-32: FAN BOARD CONTACT (CLOSED WHEN FAN RUNNING)

Cooling:

- Fan type: single phase axial
- Number of fans: 2
- Voltage: 230 V
- Current: 0.4 A
- Frequency: 50/60 Hz
- Noise: 62 dBA

In the interest of product improvement Green Power Solutions reserves the right to change any specification given in this data sheet without notice.