

GOG96014

THREE PHASE AC-DC BRIDGE

- Fuse protection
- Blown fuse indicators with microswitch
- Over temperature switches
- Fan loss detection circuit
- Snubber for SCR's protections
- Extractible stacks for easy field service

LINE VOLTAGE UP TO 690V

DC OUTPUT CURRENT 1400A

GOG96014

Line to line voltage	690 V
----------------------	-------

Characteristic	Conditions	Value
I _{DC}	DC output current	1400 A
V _{INS} (rms)	Insulation voltage	3000 V

THYRISTOR CHARACTERISTICS

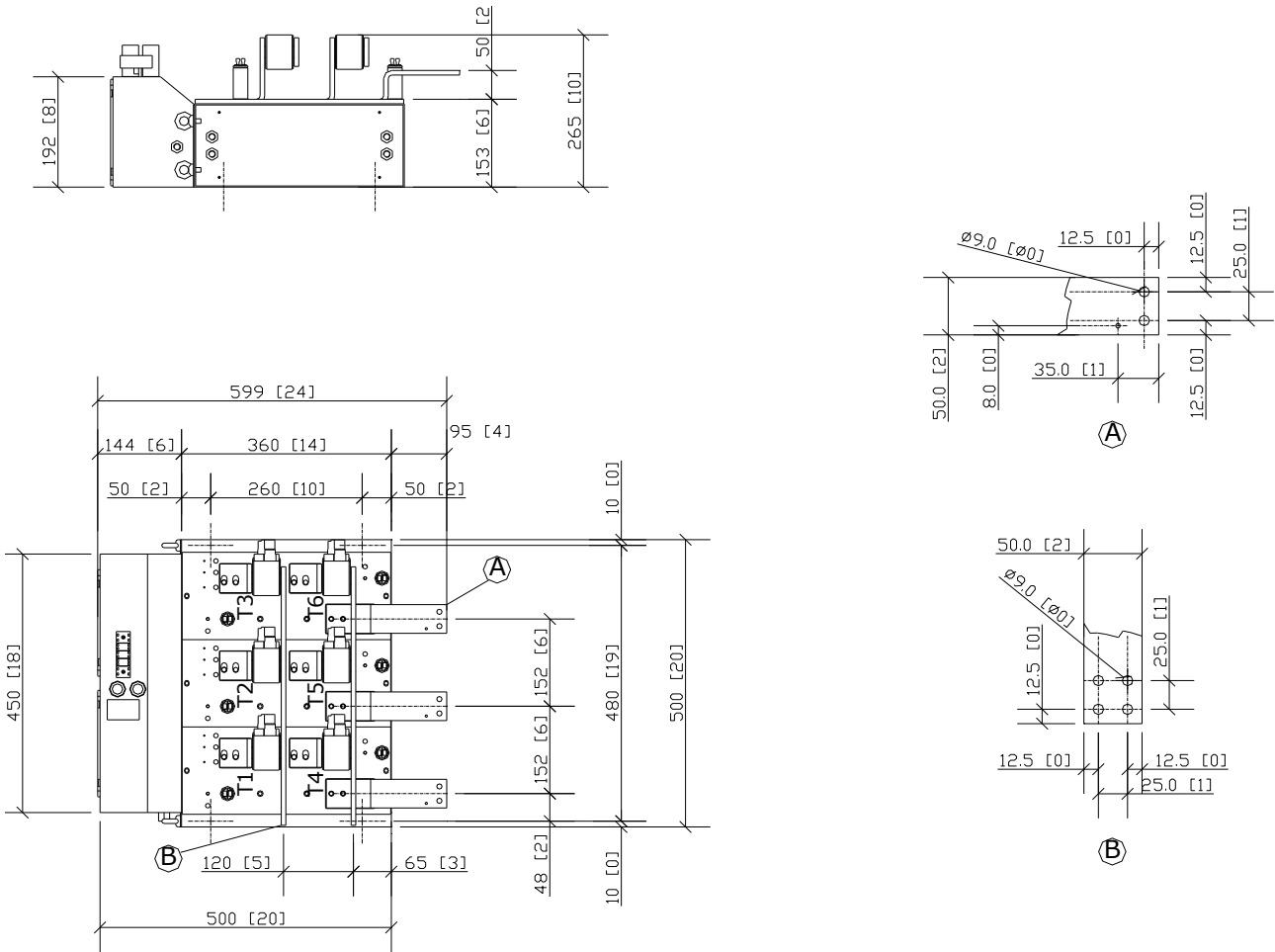
V _{GT}	Gate trigger voltage	T _j = 25 °C, V _D = 5 V	3 V
I _{GT}	Gate trigger current	T _j = 25 °C, V _D = 5 V	300 mA
dV/dt	Critical rate of rise off-state voltage	T _j = 125 °C	1000 V/us
V _{RRM}	Blocking Voltage	T _j = 125 °C	2200 V

FUSE TYPE SIBA 2068132.900

V _{NF}	Rated voltage		690 V
I _{NF}	Rated current		900 A
P _{VF}	Power loss	At rated current	120 W
I ² t	Total I ² t	At 660V	660 kA ² s

MECHANICAL AND THERMAL CHARACTERISTICS

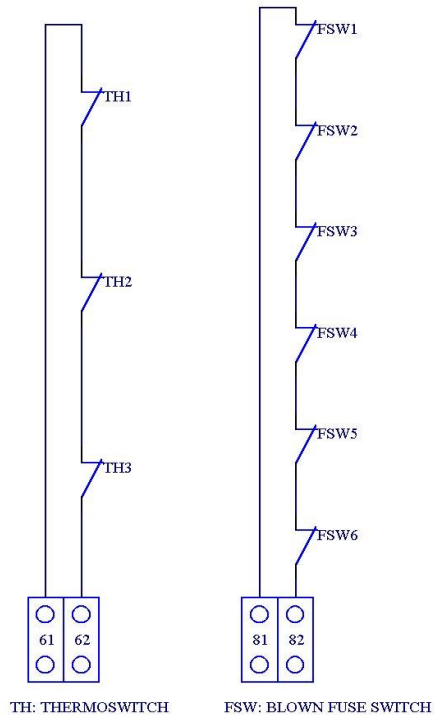
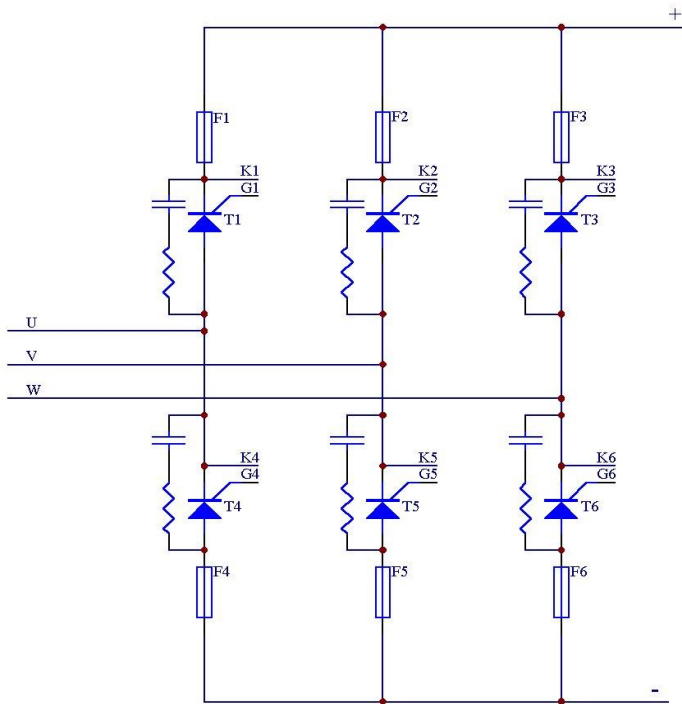
	Width		500 mm
	Depth		275 mm
	Height		855 mm
	Mass		70 kg
T _{a max}	Max amb. op. Temp.		40 °C
T _{stg}	Storage temperature		-40/60 °C



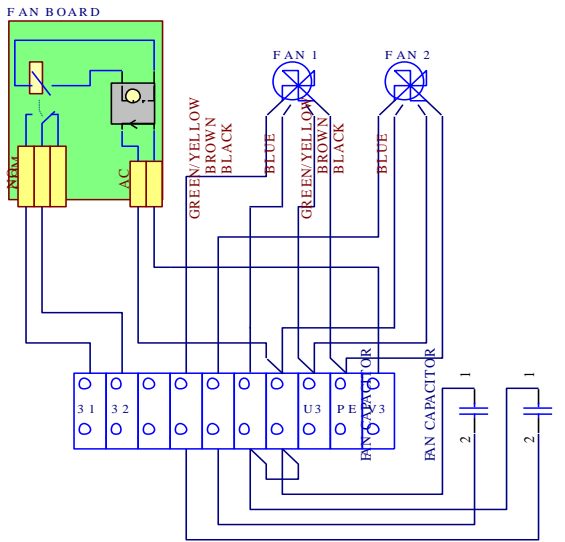
The part numbering system is reported at the beginning of the Open Assembly section.

Customisations are available on request. Please contact factory.

In the interest of product improvement Green Power Solutions reserves the right to change any specification given in this data sheet without notice.



61-62: THERMOSWITCH CIRCUIT CONNECTION
81-82: BLOWN FUSE SWITCH CIRCUIT CONNECTION



U3-V3: MAIN SUPPLY
PE: GROUND CONNECTION (GND)
31-32: FAN BOARD CONTACT (CLOSED WHEN FAN RUNNING)

Cooling:

- Fan type: single phase axial
- Number of fans: 2
- Voltage: 230 V
- Current: 0.4 A
- Frequency: 50/60 Hz
- Noise: 62 dBA

In the interest of product improvement Green Power Solutions reserves the right to change any specification given in this data sheet without notice.