

GOG9xx24

THREE PHASE AC-DC BRIDGE

Fuse protection
Blown fuse indicators with microswitch
Over temperature switches
Fan loss detection circuit
Snubber for SCR's protections
Extractable stacks for easy field service

LINE VOLTAGE UP TO 500V

DC OUTPUT CURRENT 2400A

GOG94024 GOG95024

Line to line voltage	400	500	
----------------------	-----	-----	--

Characteristic		Conditions	Value	Value	Value
I _{DC}	DC output current		2400 A	2400 A	
V _{INS} (rms)	Insulation voltage		3000 V	3000 V	

THYRISTOR CHARACTERISTICS

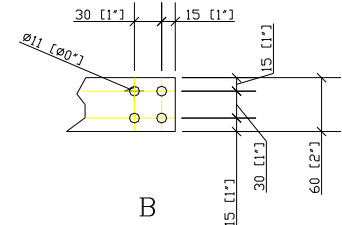
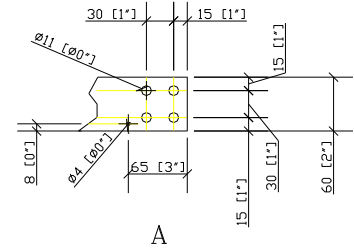
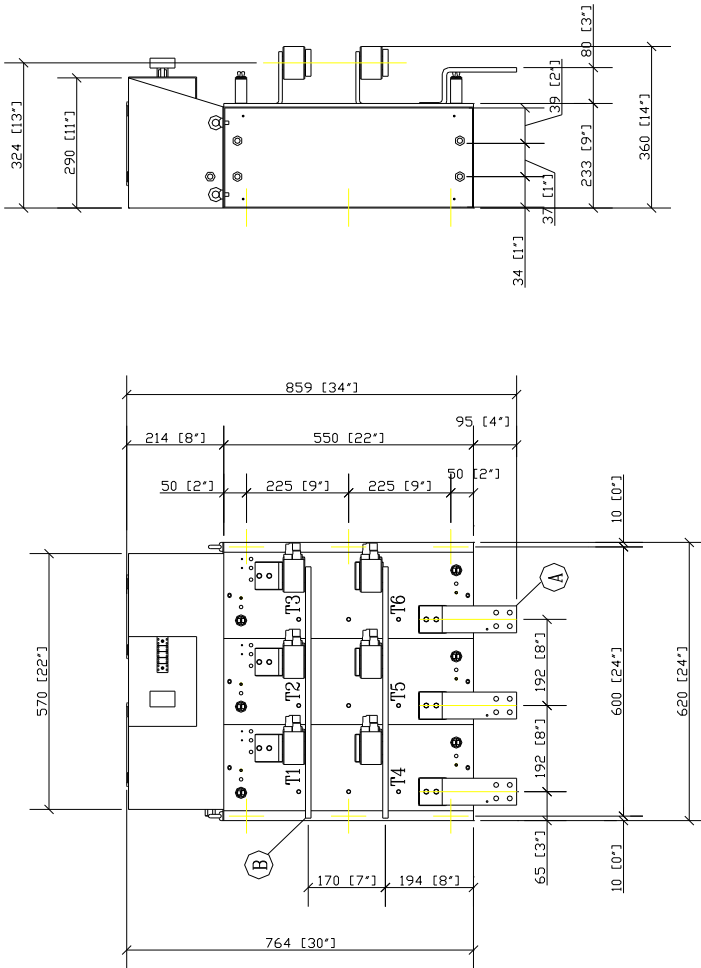
V _{GT}	Gate trigger voltage	T _j = 25 °C, V _D = 5 V	3 V	3 V	
I _{GT}	Gate trigger current	T _j = 25 °C, V _D = 5 V	300 mA	300 mA	
dV/dt	Critical rate of rise off-state voltage	T _j = 125 °C	1000 V/us	1000 V/us	
V _{RRM}	Blocking Voltage	T _j = 125 °C	1200 V	1600 V	

FUSE TYPE SIBA 2068132.1400

V _{NF}	Rated voltage		690 V	690 V	
I _{NF}	Rated current		1400 A	1400 A	
P _{VF}	Power loss	At rated current	161 W	161 W	
I ² _t	Total I ² _t	At 660V	2200 kA ² s	2200 kA ² s	

MECHANICAL AND THERMAL CHARACTERISTICS

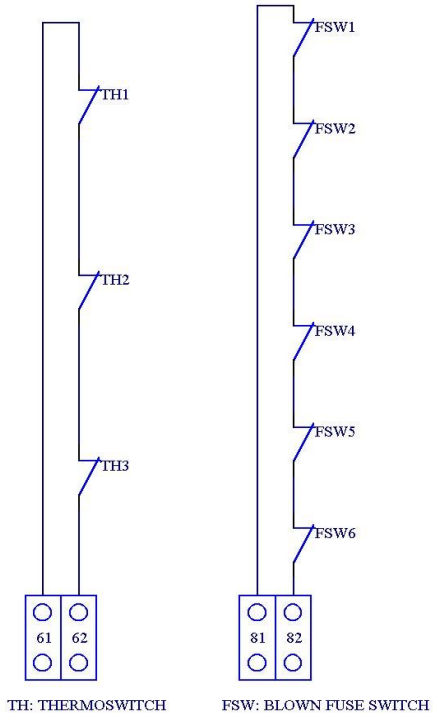
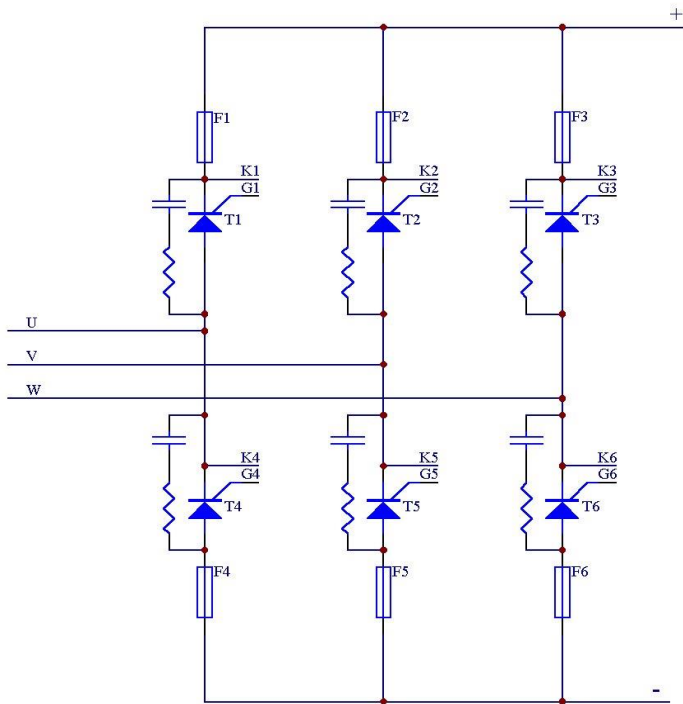
	Width		620 mm	620 mm	
	Depth		360 mm	360 mm	
	Height		855 mm	855 mm	
	Mass		100 kg	100 kg	
T _a max	Max amb. op. Temp.		40 °C	40 °C	
T _{stg}	Storage temperature		-40/60 °C	-40/60 °C	



The part numbering system is reported at the beginning of the Open Assembly section.

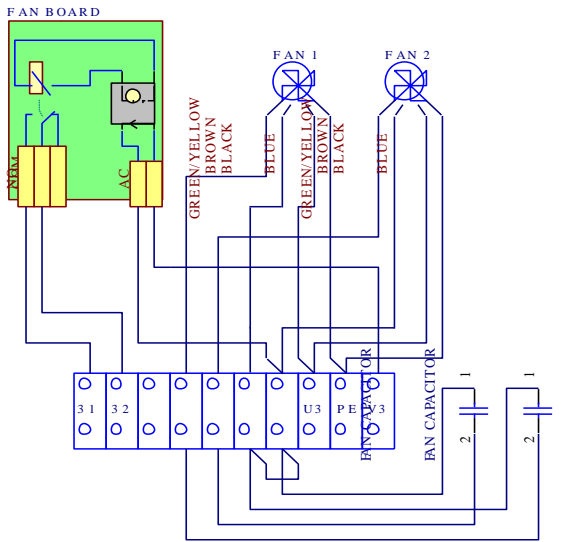
Customisations are available on request. Please contact factory.

In the interest of product improvement Green Power Solutions reserves the right to change any specification given in this data sheet without notice.



TH: THERMOSWITCH FSW: BLOWN FUSE SWITCH

61-62: THERMOSWITCH CIRCUIT CONNECTION
81-82: BLOWN FUSE SWITCH CIRCUIT CONNECTION



U3-V3: MAIN SUPPLY
PE: GROUND CONNECTION (GND)
31-32: FAN BOARD CONTACT (CLOSED WHEN FAN RUNNING)

Cooling:

- Fan type: single phase axial
- Number of fans: 2
- Voltage: 230 V
- Current: 0.6 A
- Frequency: 50/60 Hz
- Noise: 62 dBA

In the interest of product improvement Green Power Solutions reserves the right to change any specification given in this data sheet without notice.