

# GOXX0004

## SNUBBER BOARD

(PCB MOUNTED RC GROUP AND VOLTAGE SUPPRESSOR FOR SINGLE PHASE RECTIFIER)

**LINE VOLTAGE UP TO 230V  
OUTPUT CURRENT UP TO 30A**

The GOXX0004 can be used as a snubber/voltage suppressor board for single phase bridges using 50-90A modules (IR Add-A-Pack, Semikron Semipack, etc.)

### BOARD CHARACTERISTICS

Characteristic		Conditions	Value
I <sub>LOAD (AVG)</sub>	Maximum bridge output current		30 A
V (RMS)	Maximum voltage		230 V
V <sub>INS (RMS)</sub>	Insulation voltage		2000 V

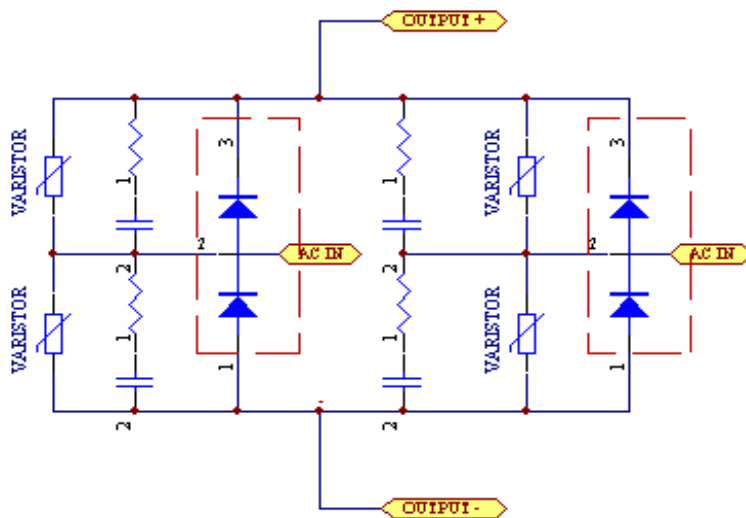
### RC GROUP AND SUPPRESSOR CHARACTERISTICS

R	Snubber resistor		47 Ohm
C	Snubber capacitor		0.22 $\mu$ F
V <sub>BR (RMS)</sub>	Suppressor nominal voltage		300 V
I <sub>MAX</sub>	Max. suppressor discharge current	(8/20 $\mu$ s)	8000 A
W <sub>MAX</sub>	Suppressor energy	(2 ms)	173 J

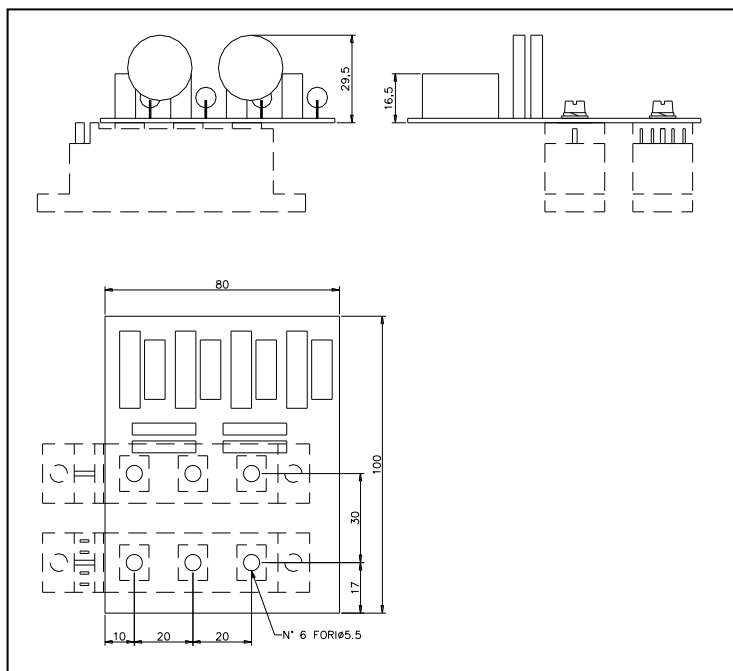
### MECHANICAL AND THERMAL CHARACTERISTICS

	Width		80 mm
	Depth		100 mm
	Height		29.5 mm
W	Weight		76 g
	hole diameter		5.5 mm
T <sub>a max</sub>	Max amb. op. Temp.		40 °C
T <sub>stg</sub>	Storage temperature		-40/60 °C

FUNCTIONAL SCHEMATIC



MECHANICAL DRAWING



In the interest of product improvement Green Power Solutions reserves the right to change any specification given in this data sheet without notice.