

# GPTP2220

## PHASE CONTROLLED SCR

High reliability operation  
 DC power supply  
 AC drives

**VOLTAGE UP TO** 1600 V (\*)  
**AVERAGE CURRENT** 2200 A  
**SURGE CURRENT** 32 kA

### BLOCKING CHARACTERISTICS

Characteristic	Conditions	Value
VRRM	Repetitive peak reverse voltage	1600 V
VRSM	Non-repetitive peak reverse voltage	1700 V
VDRM	Repetitive peak off-state voltage	1600 V
IDRM	Repetitive peak off-state current, max.	VDRM, single phase, half wave, T <sub>j</sub> = T <sub>jmax</sub>
IRRM	Repetitive peak reverse current, max.	VRRM, single phase, half wave, T <sub>j</sub> = T <sub>jmax</sub>

### ON-STATE CHARACTERISTICS

I <sub>T(AV)</sub>	Average on-state current	Sine wave, 180° conduction, Th = 55 °C	2200 A
I <sub>T(RMS)</sub>	R.M.S. on-state current	Sine wave, 180° conduction, Th = 55 °C	3456 A
I <sub>TSM</sub>	Surge on-state current	Non rep. half sine wave, 50 Hz, V <sub>R</sub> = 0 V, T <sub>j</sub> = T <sub>jmax</sub>	32 kA
I <sup>2</sup> t	I <sup>2</sup> t for fusing coordination		5120 kA <sup>2</sup> s
V <sub>T(TO)</sub>	Threshold voltage	T <sub>j</sub> = T <sub>jmax</sub>	0.85 V
r <sub>T</sub>	On-state slope resistance	T <sub>j</sub> = T <sub>jmax</sub>	0.122 mΩ
V <sub>TM</sub>	Peak on-state voltage, max	On-state current I <sub>T</sub> = 2000 A, T <sub>j</sub> = 25 °C	1.15 V
I <sub>H</sub>	Holding current, max	T <sub>j</sub> = 25 °C	300 mA
I <sub>L</sub>	Latching current, typ	T <sub>j</sub> = 25 °C	700 mA

### TRIGGERING CHARACTERISTICS

V <sub>GT</sub>	Gate trigger voltage	T <sub>j</sub> = 25 °C, V <sub>D</sub> = 5 V	2.5 V
I <sub>GT</sub>	Gate trigger current	T <sub>j</sub> = 25 °C, V <sub>D</sub> = 5 V	300 mA
V <sub>GD</sub>	Non-trigger voltage	V <sub>D</sub> = 67% VRRM, T <sub>j</sub> = T <sub>jmax</sub>	0.25 V
P <sub>GM</sub>	Peak gate power dissipation	Pulse width 100 μs	150 W
P <sub>G(AV)</sub>	Average gate power dissipation		2 W
I <sub>FGM</sub>	Peak gate current		10 A
V <sub>FGM</sub>	Peak gate voltage (forward)		10 V
V <sub>RGM</sub>	Peak gate voltage (reverse)		12 V

### SWITCHING CHARACTERISTICS

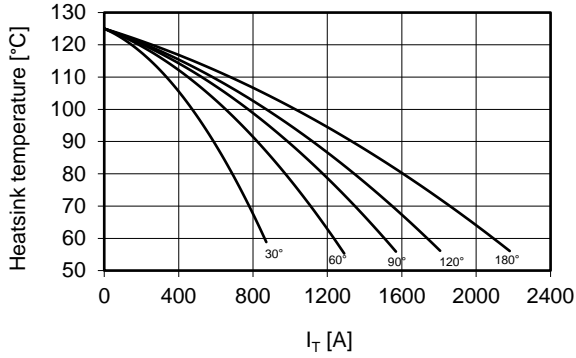
di/dt	Critical rate of rise of on-state current	T <sub>j</sub> = T <sub>jmax</sub>	200 A/μs
dV/dt	Critical rate of rise of off-state voltage	T <sub>j</sub> = T <sub>jmax</sub>	1000 V/μs
t <sub>q</sub>	Turn-off time, typ	T <sub>j</sub> = T <sub>jmax</sub> , I <sub>T</sub> = 1000 A, di/dt = -20 A/μs	μs
		V <sub>R</sub> = 50 V, V <sub>D</sub> = 67% VDRM, dV/dt = 20 V/μs	

### THERMAL AND MECHANICAL CHARACTERISTICS

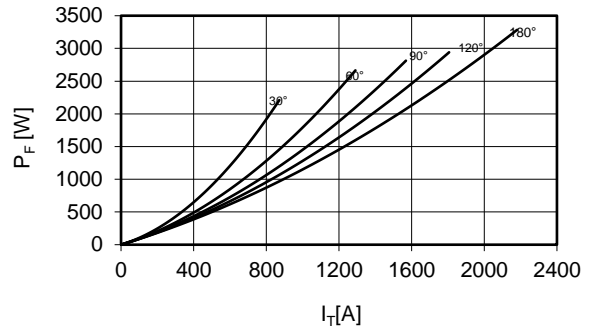
R <sub>th(j-c)</sub>	Thermal resistance (junction to case)	Double side cooled	0.015 °C/W
R <sub>th(c-h)</sub>	Thermal resistance (case to heatsink)	Double side cooled	0.006 °C/W
T <sub>jmax</sub>	Max operating junction temperature		125 °C
T <sub>stg</sub>	Storage temperature		-40 / 125 °C
F	Clamping force ± 10%		23 kN
	Mass		500 g

(\*) 1800 V available upon request - Contact Factory

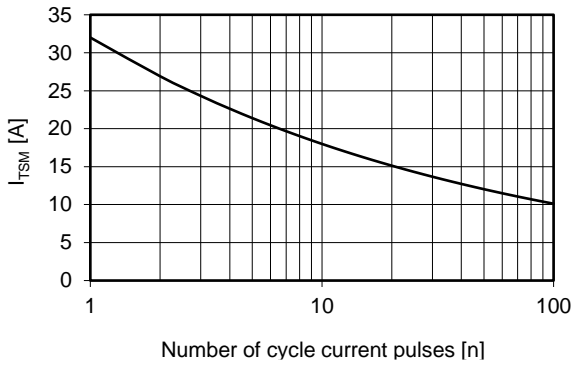
Current rating - sine wave



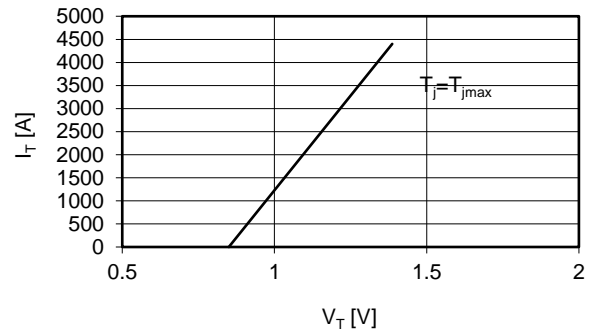
Power loss - sine wave



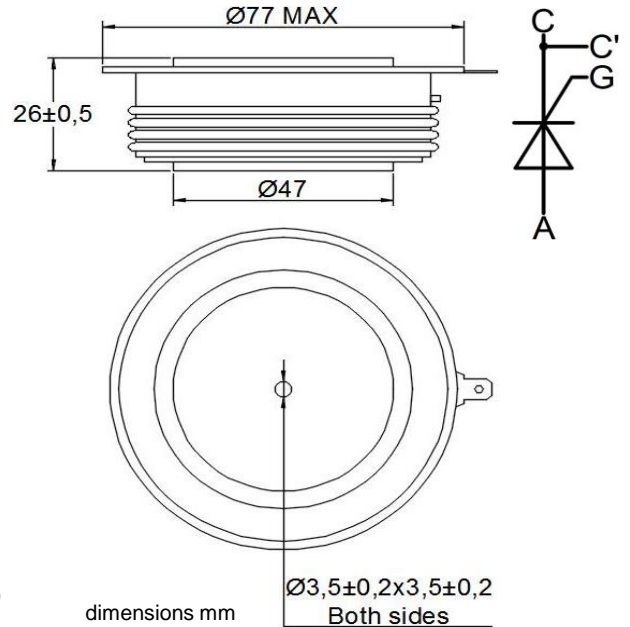
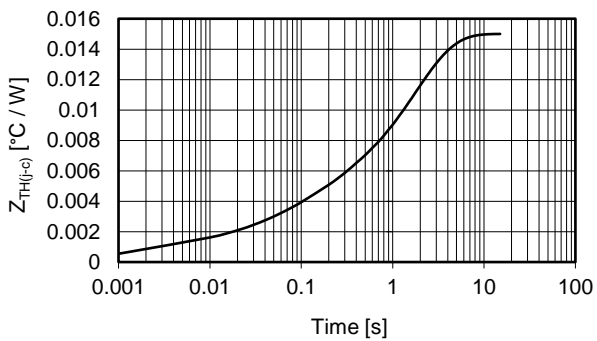
Maximum surge current d.s. cooled



On-state voltage drop



Thermal impedance (j-c)



**Ordering information GPTP2220-VVGL**

- VV**: blocking voltage / 100 (e.g. 16 for 1600 V)
- G**: trigger lead type (**S** = straight **T** = twisted **blank** = no leads)
- L**: trigger lead length x 100mm (**3 - 4 - 5 - 7 blank** = no leads)

In the interest of product improvement Green Power Solutions reserves the right to change any specification given in this data sheet without notice.