

GPTR6268

PHASE CONTROLLED SCR

High reliability operation
 DC power supply
 Controlled rectifiers
 DC drives - Motor starters

BLOCKING VOLTAGE UP TO **5200 V**
AVERAGE CURRENT **2680 A**
SURGE CURRENT **51 kA**

BLOCKING CHARACTERISTICS

Characteristic		Conditions	Value
V _{RRM}	Repetitive peak reverse voltage		5200 V
V _{RSM}	Non-repetitive peak reverse voltage		5300 V
V _{DRM}	Repetitive peak off-state voltage		5200 V
I _{DRM}	Repetitive peak off-state current, max.	V _{DRM} , single phase, half wave, T _j = T _{jmax}	400 mA
I _{RRM}	Repetitive peak reverse current, max.	V _{RRM} , single phase, half wave, T _j = T _{jmax}	400 mA

ON-STATE CHARACTERISTICS

I _{T(AV)}	Average on-state current	Sine wave, 180° conduction, Th = 55 °C	2680 A
I _{T(RMS)}	R.M.S. on-state current	Sine wave, 180° conduction, Th = 55 °C	4210 A
I _{TSM}	Surge on-state current	Non rep. half sine wave, 50 Hz, V _R = 0 V, T _j = T _{jmax}	51 kA
I ² t	I ² t for fusing coordination		13005 kA ² s
V _{T(TO)}	Threshold voltage	T _j = T _{jmax}	1.0 V
r _T	On-state slope resistance	T _j = T _{jmax}	0.225 mΩ
V _{TM}	Peak on-state voltage, max	On-state current I _T = 3000 A, T _j = T _{jmax}	1.68 V
I _H	Holding current, max	T _j = 25 °C	150 mA
I _L	Latching current, typ	T _j = 25 °C	500 mA

TRIGGERING CHARACTERISTICS

V _{GT}	Gate trigger voltage	T _j = 25 °C, V _D = 12 V	2.6 V
I _{GT}	Gate trigger current	T _j = 25 °C, V _D = 12 V	400 mA
V _{GD}	Non-trigger voltage	V _D = 67% V _{RRM} , T _j = T _{jmax}	0.3 V
P _{GM}	Peak gate power dissipation	Pulse width 0.5 ms	30 W
P _{G(AV)}	Average gate power dissipation		3 W
I _{FGM}	Peak gate current		10 A
V _{FGM}	Peak gate voltage (forward)		12 V
V _{RGM}	Peak gate voltage (reverse)		10 V

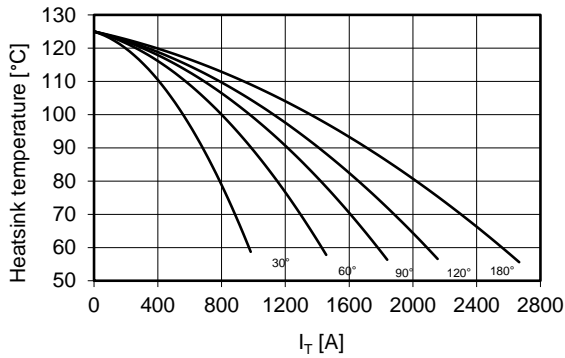
SWITCHING CHARACTERISTICS

di/dt	Critical rate of rise of on-state current	Repetitive, T _j = T _{jmax}	250 A/μs
dV/dt	Critical rate of rise of off-state voltage	T _j = T _{jmax}	2000 V/μs
t _q	Turn-off time, typ	T _j = T _{jmax} , I _T = 2300 A, di/dt = -2 A/μs V _R = 200 V, V _D = 67% V _{DRM} , dV/dt = 20 V/μs	500 μs

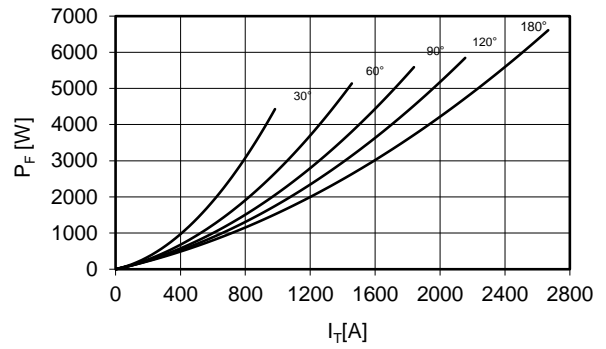
THERMAL AND MECHANICAL CHARACTERISTICS

R _{th(j-c)}	Thermal resistance (junction to case)	Double side cooled	0.009 °C/W
R _{th(c-h)}	Thermal resistance (case to heatsink)	Double side cooled	0.002 °C/W
T _{jmax}	Max operating junction temperature		125 °C
T _{stg}	Storage temperature		-40 / 125 °C
F	Clamping force ± 10%		63 / 84 kN
	Mass		1900 g

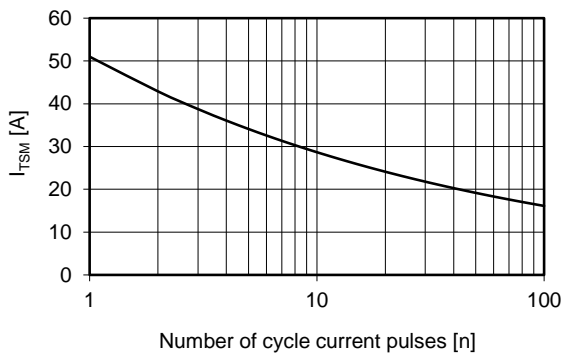
Current rating - sine wave



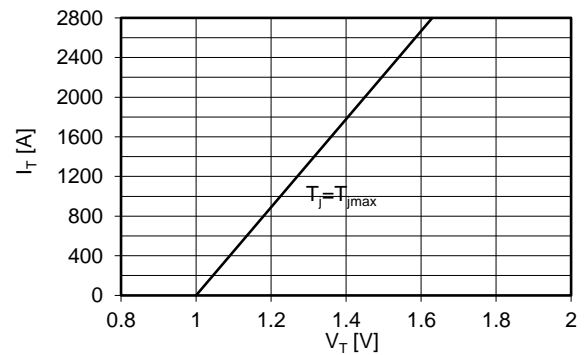
Power loss - sine wave



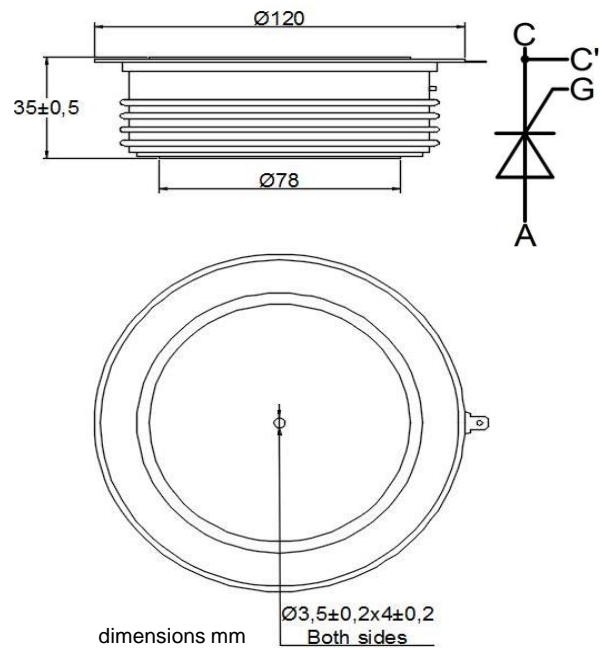
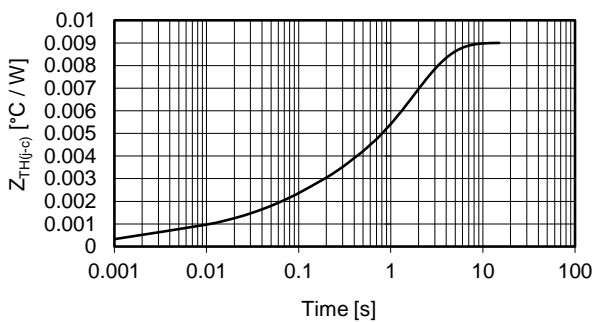
Maximum surge current
d.s. cooled



On-state voltage drop



Thermal impedance (j-c)



Ordering information GPTR6268-VVGL

- VV**: blocking voltage / 100 (e.g. 52 for 5200 V)
- G**: trigger lead type (**S** = straight **T** = twisted **blank** = no leads)
- L**: trigger lead length x 100mm (**3 - 4 - 5 - 7 blank** = no leads)

In the interest of product improvement Green Power Solutions reserves the right to change any specification given in this data sheet without notice.