

## GB80

### BOX CLAMP FOR HOCKEY PUKS

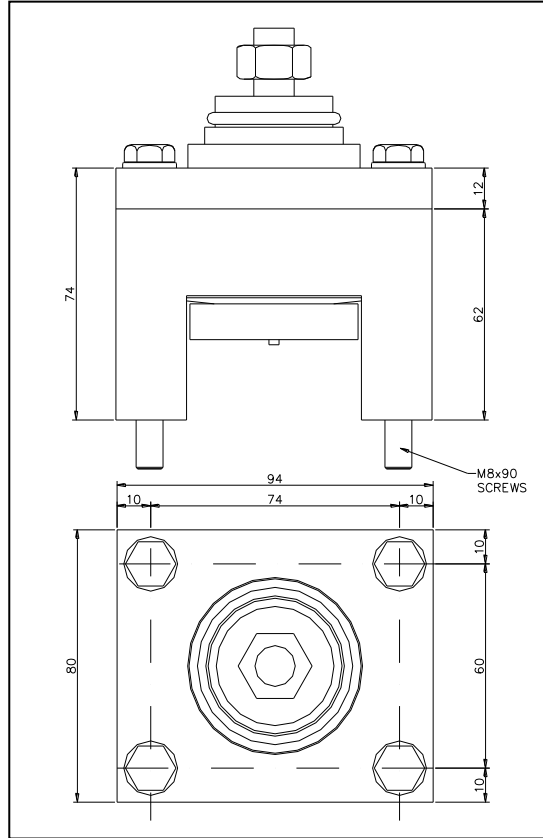
Clamping force up to 24 kN  
 Max puk diameter up to 80mm  
 Operating temperature range -40 +90 °C  
 Insulating box : UL94 V0 certified material  
 Dielectric strength up to 6kV rms 50 Hz  
 $\phi$  3mm x 1.5mm centering pin

### ORDERING INFORMATION

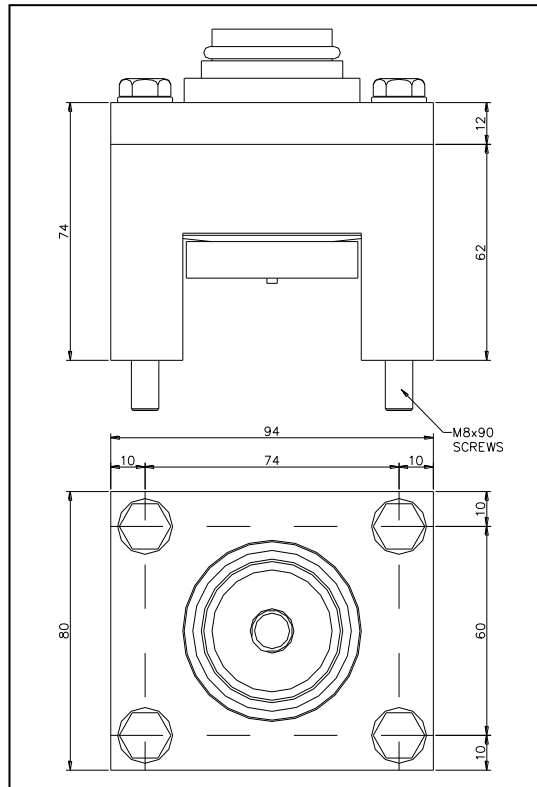
<b>GB80</b>	<b>X</b>	<b>YY</b>	<b>ZZ.Z</b>
Max device diameter 80 mm (see drawings)	Top terminal types  <b>F</b> : M12 Threaded Hole <b>M</b> : M12 Stud	Clamping force [kN]	Hockey puk thickness [mm]
Example : GB80F24-26.0 - M12 threaded hole - 24 kN - device height 26mm			

**Other product styles available. Please contact factory**

**GB80M**



**GB80F**



dimensions in mm

In the interest of product improvement Green Power Solutions reserves the right to change any specification given in this data sheet without notice.