

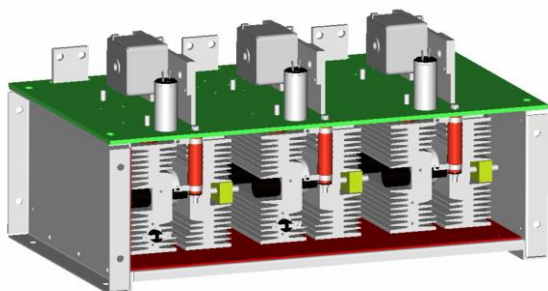
# GOA9xx06

## THREE PHASE AC-SWITCH

Fuse protection

Temperature sensors

Snubber for SCR's protections



**LINE VOLTAGE UP TO** **500 V**  
**RMS OUTPUT CURRENT** **630 A**

**GOA95006**
**GOA94006**

Line to line voltage	<b>500 V</b>	<b>400 V</b>
----------------------	--------------	--------------

Characteristic		Conditions	Value
IRMS	R.M.S. output current	Cooling fans: 3 x W2S130-AA03 01 (EBM) @ Ta=40°C	630 A
VINS (rms)	Insulation voltage		3000 V

### THYRISTOR TRIGGERING CHARACTERISTICS

VGT	Gate trigger voltage	T <sub>j</sub> = 25 °C, V <sub>D</sub> = 5 V	3 V
I <sub>GT</sub>	Gate trigger current	T <sub>j</sub> = 25 °C, V <sub>D</sub> = 5 V	300 mA

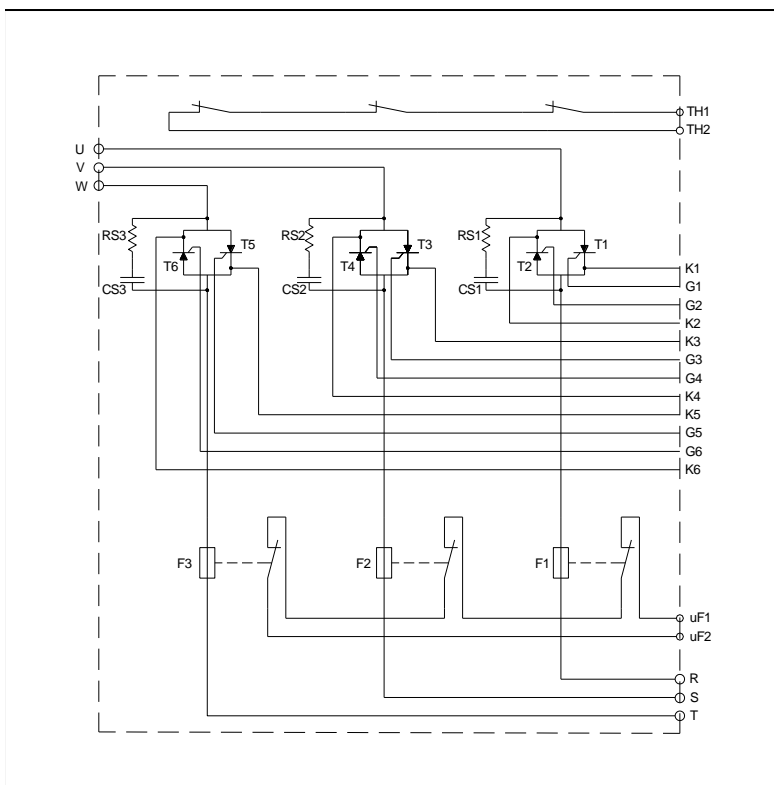
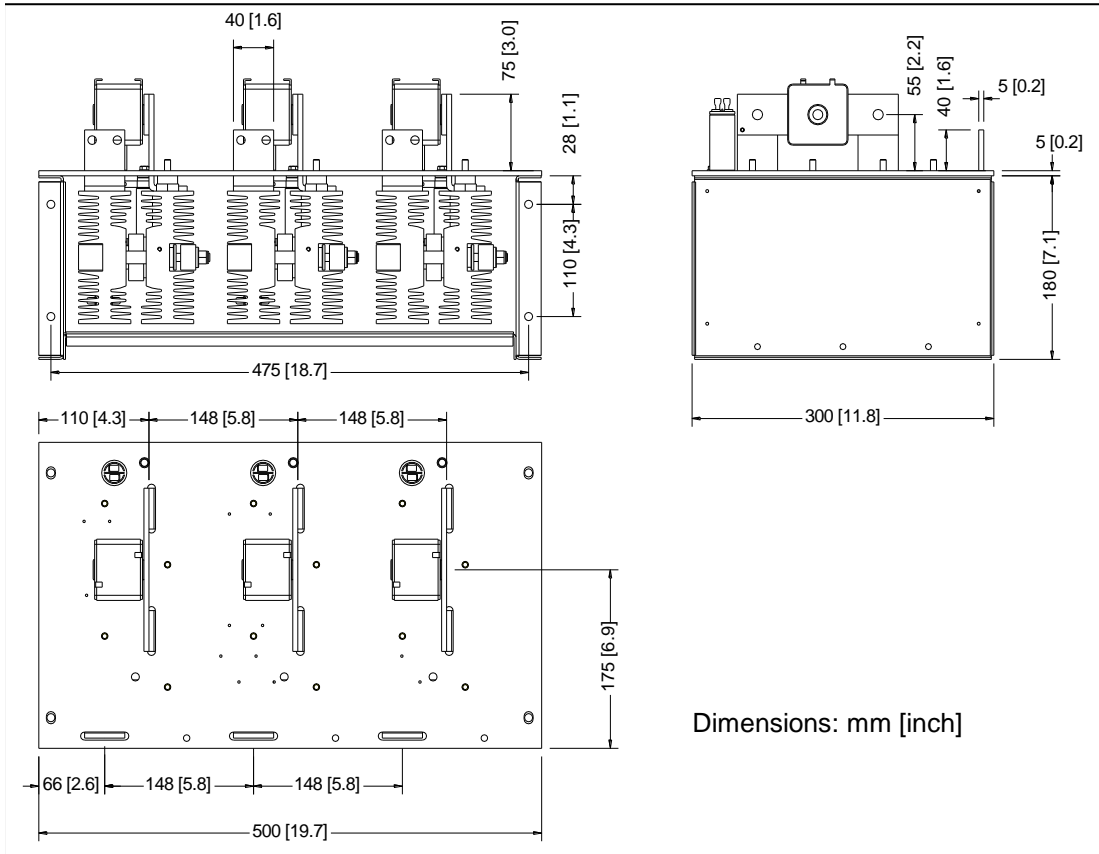
### FUSE TYPE SIBA 2067132.630

VNF	Rated voltage		690 V
INF	Rated current		630 A
PVF	Power loss	At rated current	94 W
I <sup>2</sup> t		Line voltage 500 V	231 kA <sup>2</sup> s

### MECHANICAL AND THERMAL CHARACTERISTICS

	Width		500 mm
	Depth		300 mm
	Height		250 mm
	Mass		30 kg
T <sub>a</sub> max	Max ambient operating temperature		40 °C
T <sub>stg</sub>	Storage temperature		-40 / 125 °C





In the interest of product improvement Green Power Semiconductors reserves the right to change any specification given in this data sheet without notice.