

# GOA9xx09

## THREE PHASE AC-SWITCH

- Fuse protection
- Temperature sensors
- Snubber for SCR's protections

**LINE VOLTAGE UP TO**                      **500 V**  
**RMS OUTPUT CURRENT**                      **900 A**

	GOA95009	GOA94009
Line to line voltage	500 V	400 V

Characteristic		Conditions	Value
IRMS	R.M.S. output current	Cooling fans: 3 x W2S130-AA03 01 (EBM) @ Ta=40°C	900 A
VINS (rms)	Insulation voltage		3000 V

### THYRISTOR TRIGGERING CHARACTERISTICS

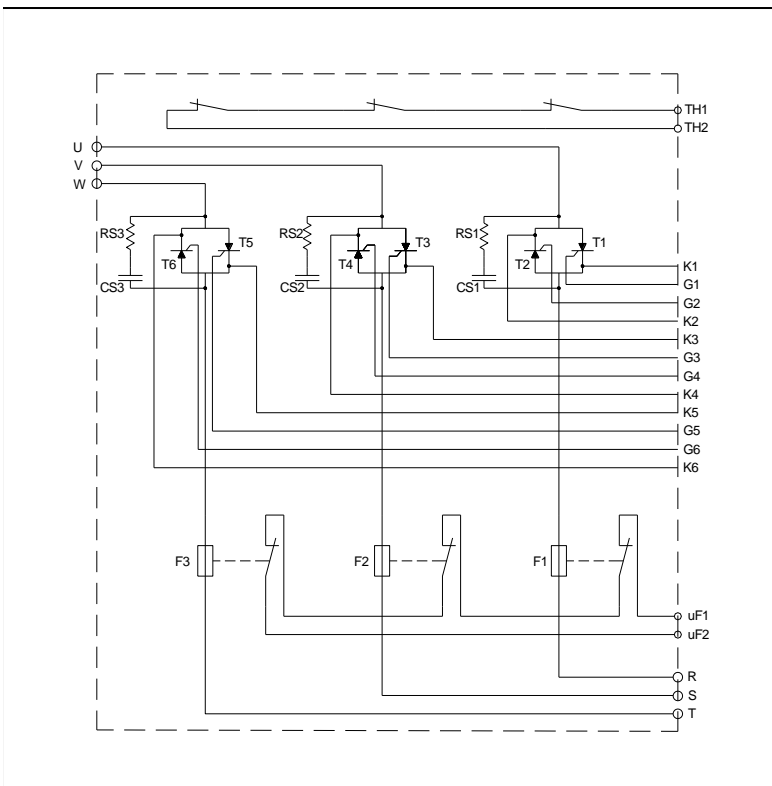
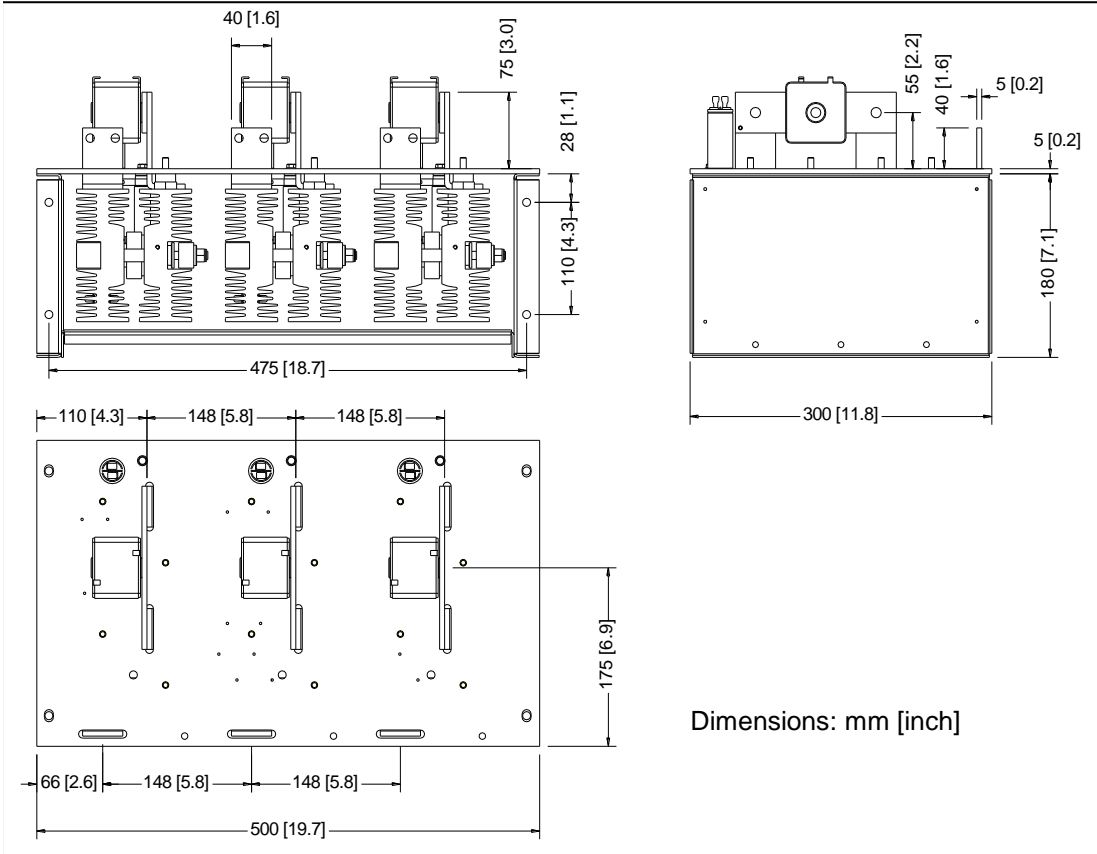
VGT	Gate trigger voltage	Tj = 25 °C, V <sub>D</sub> = 5 V	2.5 V
IGT	Gate trigger current	Tj = 25 °C, V <sub>D</sub> = 5 V	250 mA

### FUSE TYPE SIBA 2067132.1000

V <sub>NF</sub>	Rated voltage		690 V
I <sub>NF</sub>	Rated current		1000 A
P <sub>VF</sub>	Power loss	At rated current	115 W
I <sup>2</sup> t		Line voltage 500 V	970 kA <sup>2</sup> s

### MECHANICAL AND THERMAL CHARACTERISTICS

	Width		500 mm
	Depth		300 mm
	Height		250 mm
	Mass		30 kg
T <sub>a max</sub>	Max ambient operating temperature		40 °C
T <sub>stg</sub>	Storage temperature		-40 / 125 °C



In the interest of product improvement Green Power Semiconductors reserves the right to change any specification given in this data sheet without notice.