

GOA9xx14

THREE PHASE AC-SWITCH

- Fuse protection
- Temperature sensors
- Snubber for SCR's protections

LINE VOLTAGE UP TO **500 V**
RMS OUTPUT CURRENT **1400 A**

	GOA95014	GOA94014
Line to line voltage	500 V	400 V

Characteristic		Conditions	Value
IRMS	R.M.S. output current	Cooling fans: 3 x W2S130-AA03 01 (EBM) @ Ta=40°C	1400 A
VINS (rms)	Insulation voltage		3000 V

THYRISTOR TRIGGERING CHARACTERISTICS

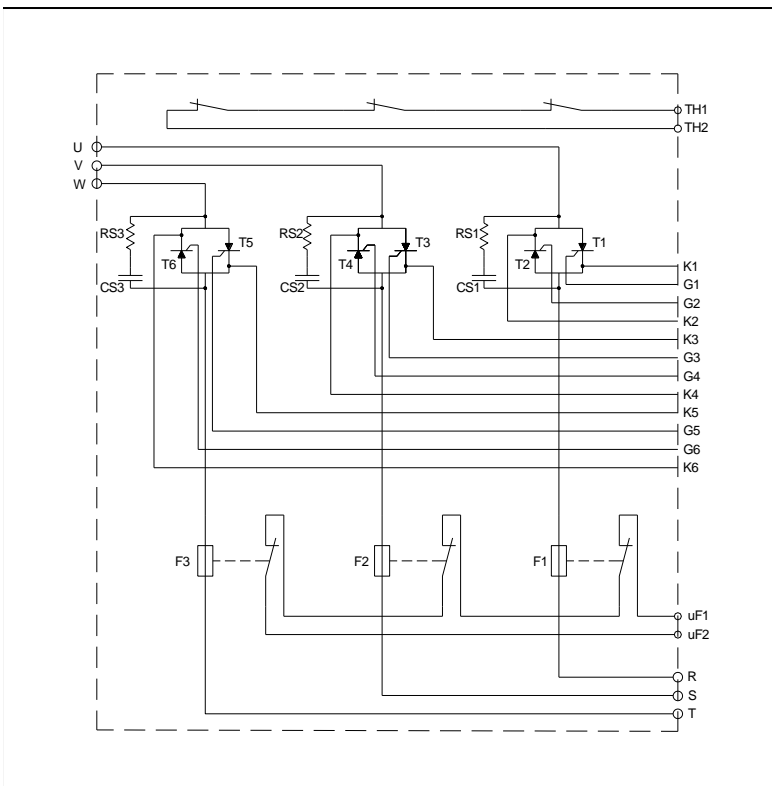
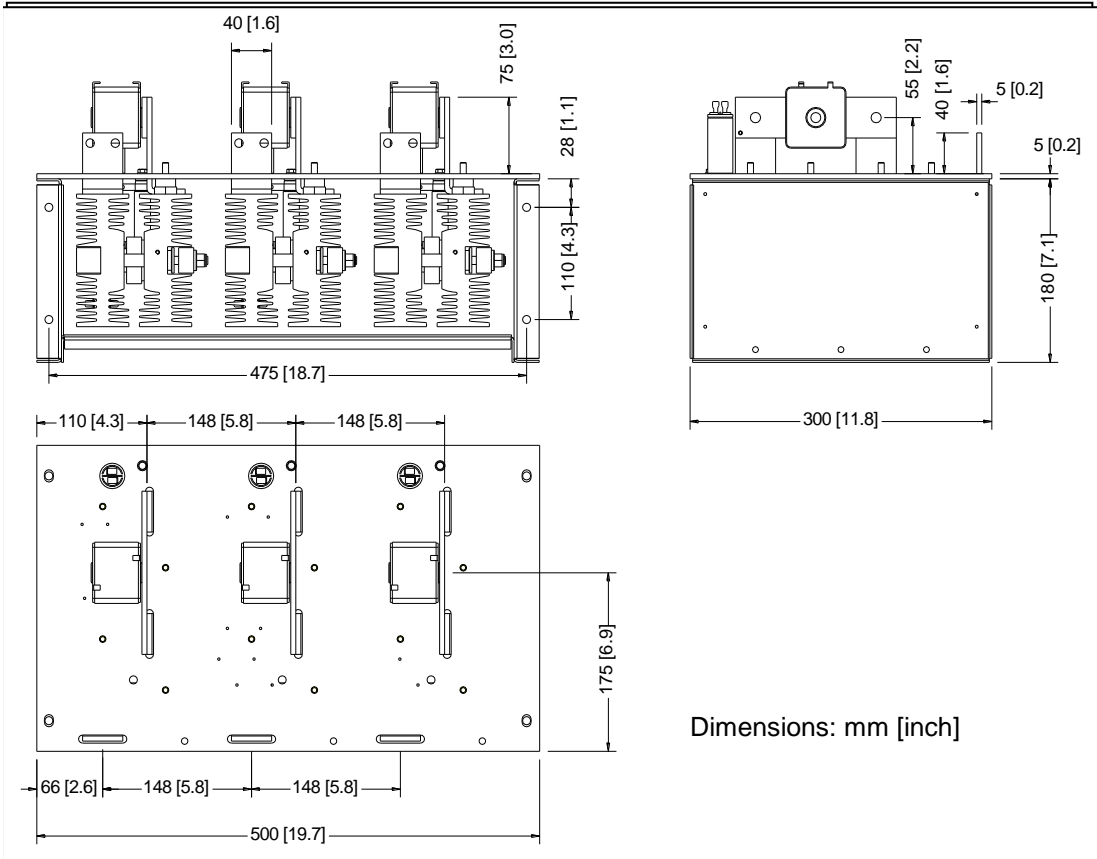
VGT	Gate trigger voltage	Tj = 25 °C, VD = 5 V	3 V
IGT	Gate trigger current	Tj = 25 °C, VD = 5 V	300 mA

FUSE TYPE SIBA 2068132.1250

VNF	Rated voltage		690 V
INF	Rated current		1250 A
PVF	Power loss	At rated current	136 W
I²t		Line voltage 500 V	1348 kA²s

MECHANICAL AND THERMAL CHARACTERISTICS

	Width		500 mm
	Depth		480 mm
	Height		320 mm
	Mass		60 kg
Ta max	Max ambient operating temperature		40 °C
Tstg	Storage temperature		-40 / 125 °C



In the interest of product improvement Green Power Solutions reserves the right to change any specification given in this data sheet without notice.