

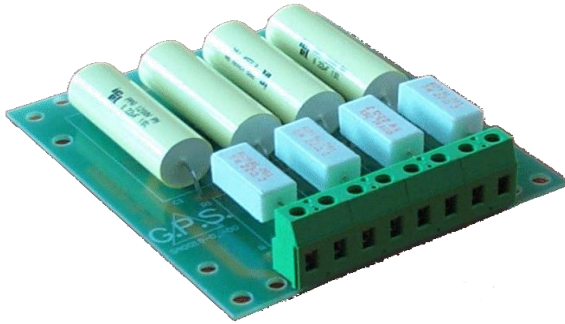
# SA0019-XX

## R-C SNUBBER BOARD

LINE VOLTAGE UP TO 500V

DEVICE RMS CURRENT UP TO 400A

- High compactness
- Possibility of multiple configurations
- Quick setup and replacement



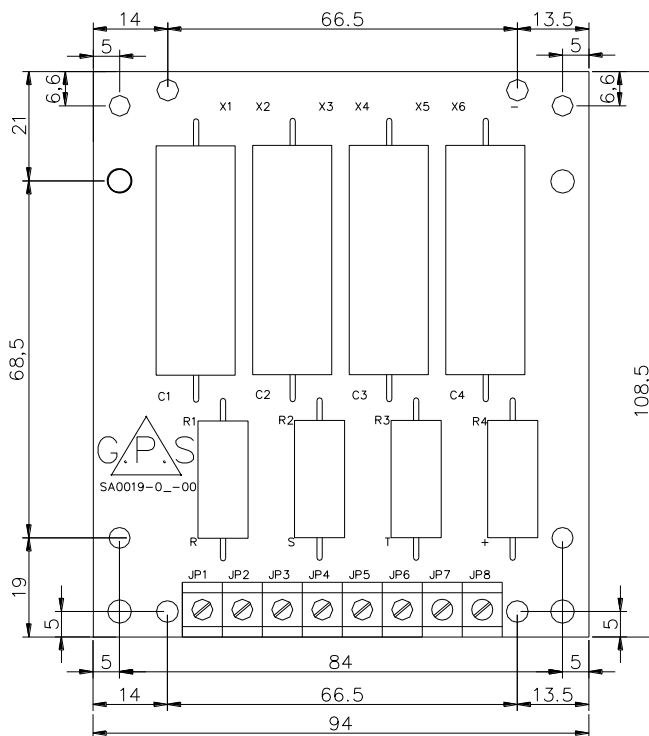
The SA0019-XX can be used as snubber board for single phase (half controlled and fully controlled) or three phase (half controlled) bridges

### BOARD CHARACTERISTICS

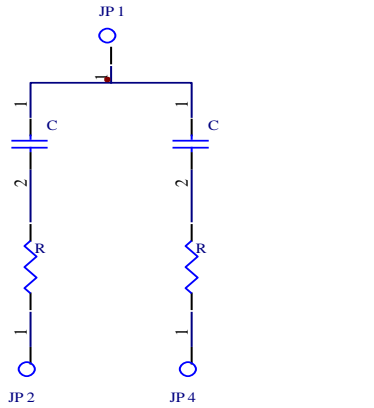
| Characteristic |                   | Conditions | Value               |
|----------------|-------------------|------------|---------------------|
| V (RMS)        | Maximum voltage   |            | 500 V               |
| R              | Snubber resistor  |            | 22 ohm 5 W          |
| C              | Snubber capacitor |            | 0.22 $\mu$ F 1200 V |
|                | Pollution degree  |            | II                  |

### MECHANICAL AND THERMAL CHARACTERISTICS

|        |                     |  |           |
|--------|---------------------|--|-----------|
|        | Width               |  | 94 mm     |
|        | Depth               |  | 108 mm    |
|        | Height              |  | 21 mm     |
| Ta max | Max amb. op. Temp.  |  | 40 °C     |
| Tstg   | Storage temperature |  | -40/60 °C |



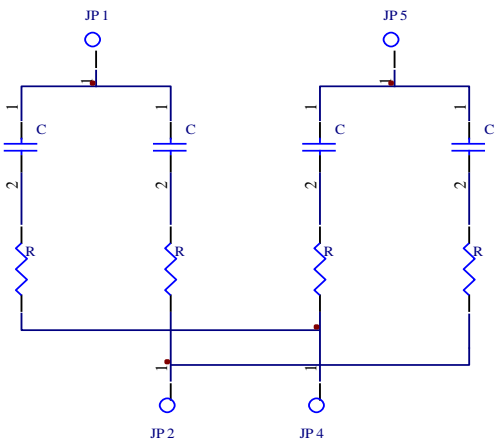
**SA0019-01 SINGLE PHASE HALF CONTROLLED BRIDGES SNUBBER BOARD**



**JP1:** Positive or negative DC output

**JP2,JP4:** Line input

**SA0019-02 SINGLE PHASE FULLY CONTROLLED BRIDGES SNUBBER BOARD**

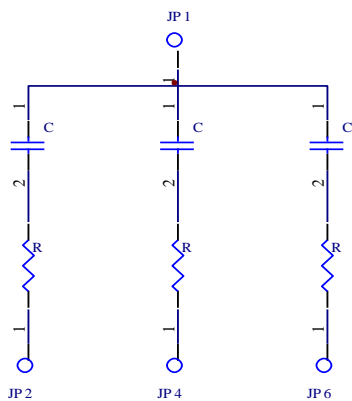


**JP1:** Positive DC output

**JP2:** Negative DC output

**JP2,JP4:** Line input

**SA0019-03 THREE PHASE HALF CONTROLLED BRIDGES SNUBBER BOARD**



**JP1:** Positive or negative DC output

**JP2,JP4,JP6:** Line input

In the interest of product improvement Green Power Solutions reserves the right to change any specification given in this data sheet without notice.